



**PM Model Horizontal Hog – Rear
Discharge**

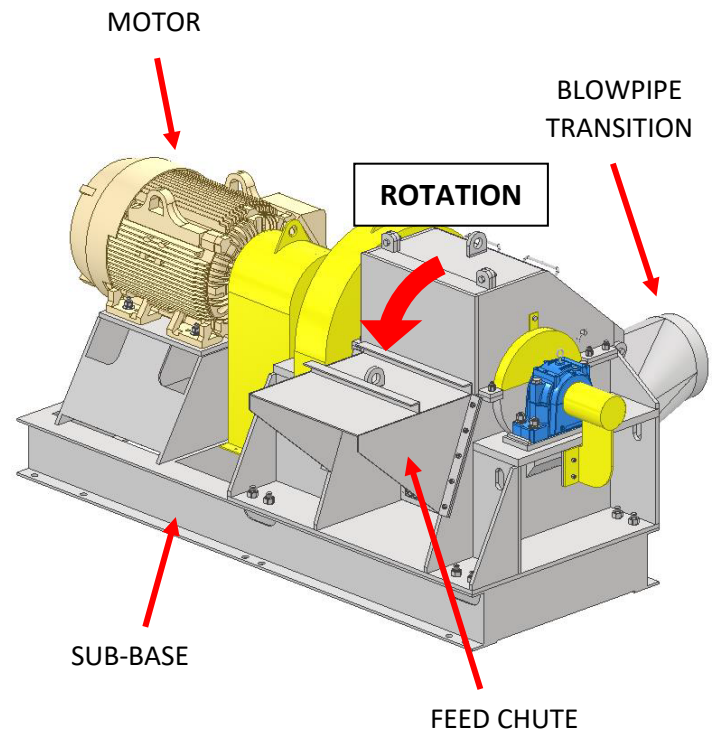
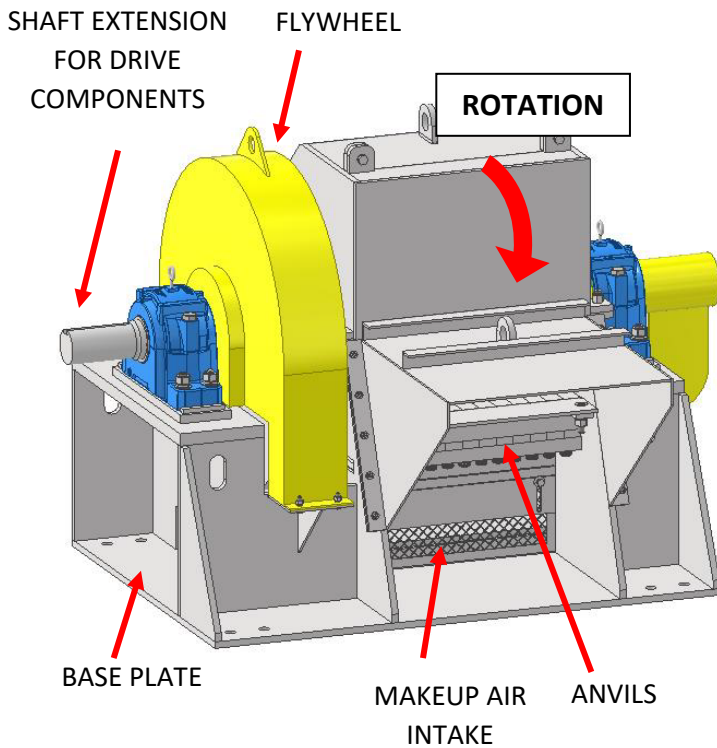
Dimension Sheet

DS 24-20-25



PM-HZF RD DIMENSION SHEET

DS 24-20-25



[GENERAL NOTES]

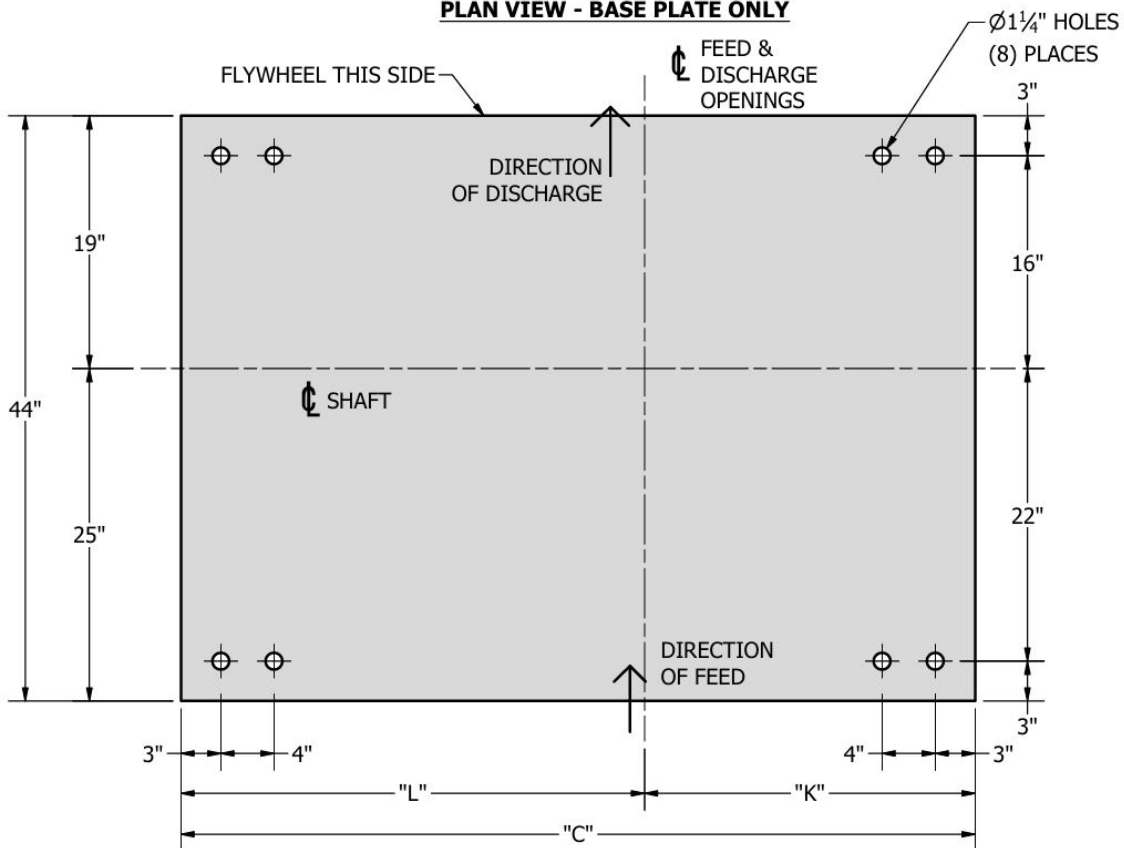
1. THE HOG MUST BE MOUNTED WITH THE BASE PLATE HORIZONTAL. DO NOT MOUNT THE HOG ON AN ANGLE TO FACILITATE FEEDING. FOUNDATIONS MUST BE SMOOTH, CLEAN, AND LEVEL. **THE UNIT MUST BE SHIMMED PRIOR TO TIGHTENING.** THE UNIT CAN BOW AND BIND, CAUSING EXCESSIVE STRESS IF ANCHORING ALTERS THE INHERENT CONTOUR OF THE BASE PLATE.
2. A REINFORCED CONCRETE FOUNDATION SHOULD EXTEND AT LEAST 6" BEYOND THE HOG ON ALL SIDES. THE MINIMUM THICKNESS IS 12". SEE *BULLETIN 57-06-22 FOUNDATION PREPARATION* FOR MORE INFORMATION.
3. ALL DIMENSIONS SHOWN ARE STANDARD AND MAY VARY WITH INSTALLATIONS.
4. THE HOG CAN BE BUILT OPPOSITE HAND FROM THAT SHOWN. THE FLYWHEEL CAN BE MOUNTED ON THE OPPOSITE END IF REQUESTED BEFORE MANUFACTURING HAS STARTED.
5. ALLOW 36" CLEARANCE AROUND THE MACHINE FOR MAINTENANCE. **DO NOT BLOCK THE MAKEUP AIR INLET.**
6. THERE ARE EIGHT (8) 1-1/4" DIAMETER HOLES FOR SECURING THE HOG TO THE FOUNDATION OR SUB-BASE. FOUNDATION ANCHOR BOLTS TO BE 1" N.C., EXTENDING 3" ABOVE THE REINFORCED CONCRETE FOUNDATION. SEE *BULLETIN 57-06-22 FOUNDATION PREPARATION* FOR MORE INFORMATION.
7. IF THE HOG IS TO BE MOUNTED ON STEEL COLUMNS, THE SUPPORTING STRUCTURE SHOULD BE DESIGNED FOR 2-1/2 TIMES THE STATIC LOAD FOR SAFETY.



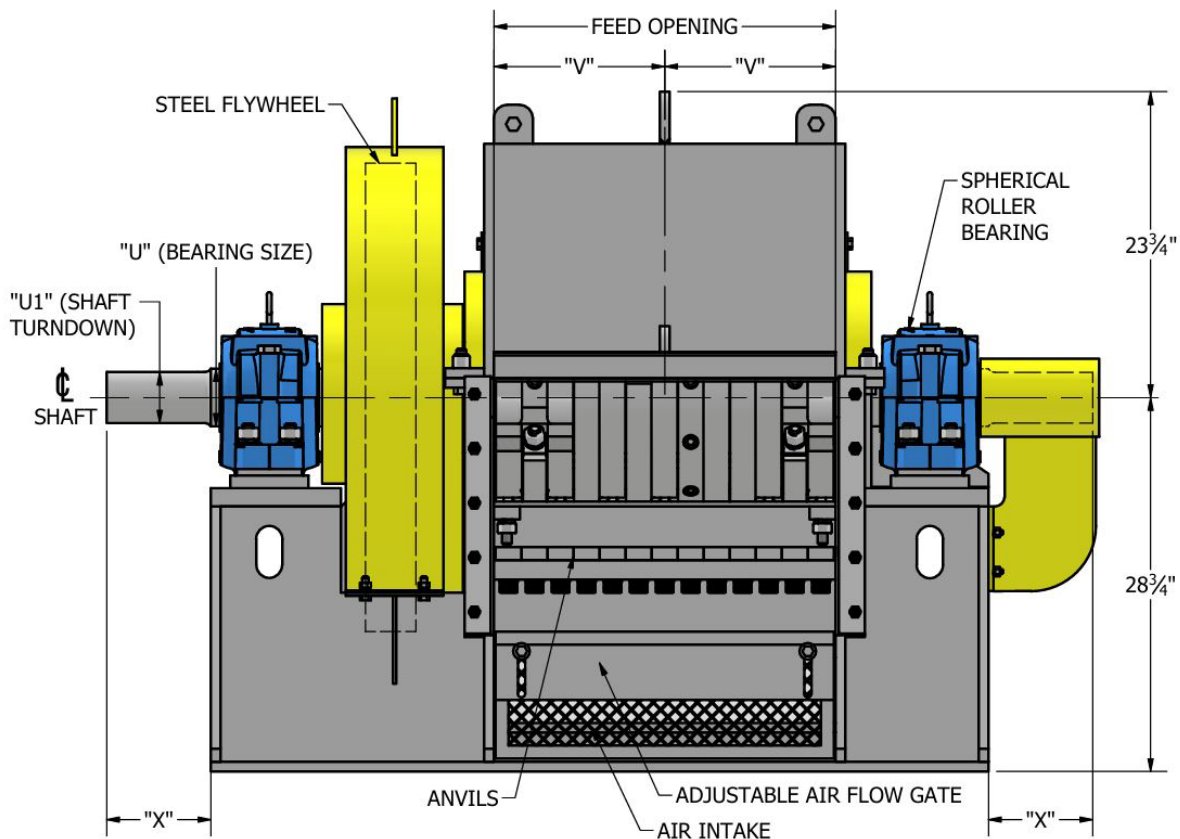
PM-HZF RD DIMENSION SHEET

DS 24-20-25

PLAN VIEW - BASE PLATE ONLY



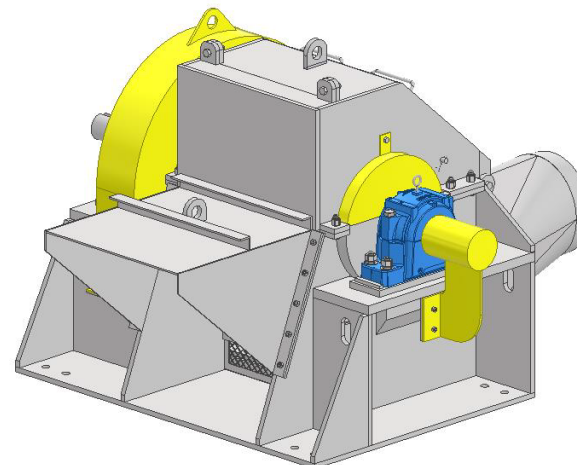
FRONT ELEVATION





PM-HZF RD DIMENSION SHEET

DS 24-20-25



[HOG DIMENSIONS IN INCHES]

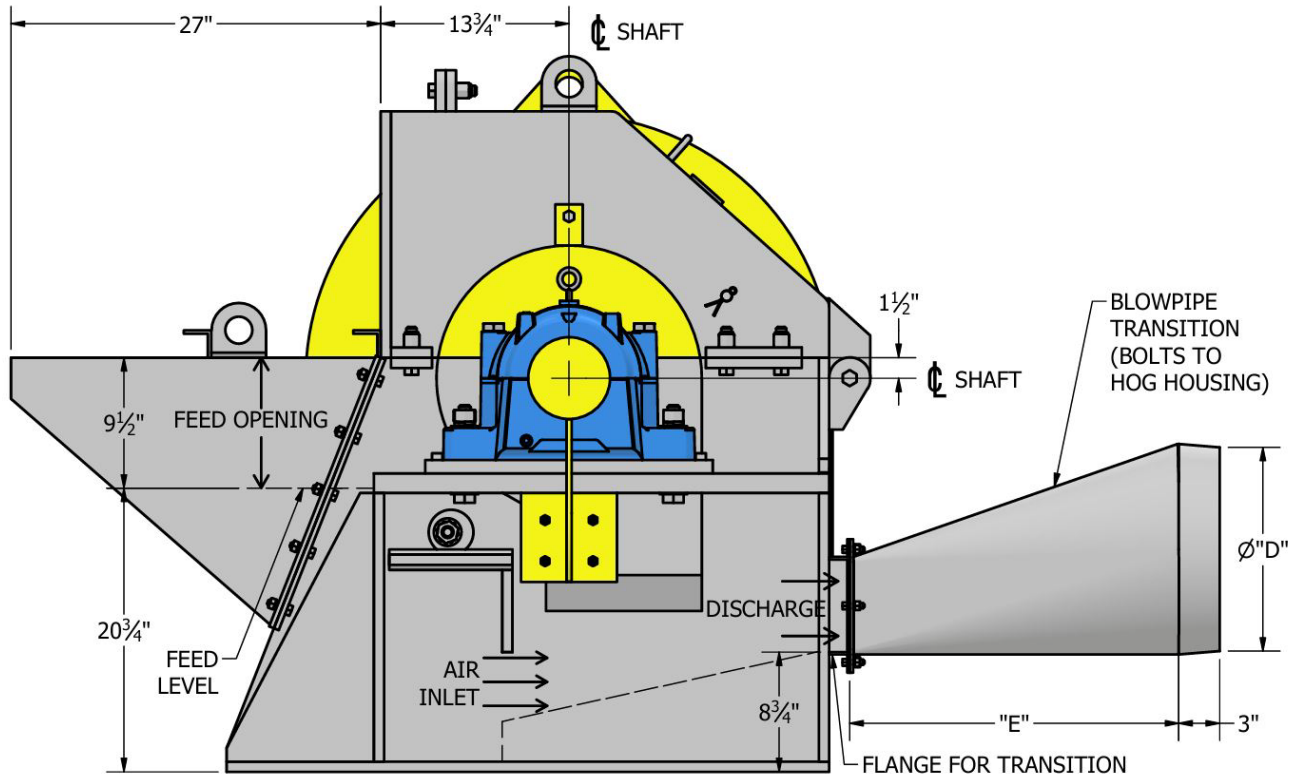
MODEL	BEARING SIZE "U"	STANDARD FLYWHEEL	"C"	"K"	"L"	"U1"	"V"	"X"	DRIVE KEYWAY
18 PM-HZF RD	4-7/16"	4 X 36	51-3/4	20-7/8	30-7/8	3-15/16	9-1/8	8	1 X 1/2 X 7-1/2
	5-7/16"	6 X 36	53-3/4	21-7/8	31-7/8	4-7/16		10	1 X 1/2 X 9-1/2
26 PM-HZF RD	4-7/16"	4 X 36	59-3/4	24-7/8	34-7/8	3-15/16	13-1/8	8	1 X 1/2 X 7-1/2
	5-7/16"	6 X 36	61-3/4	25-7/8	35-7/8	4-7/16		10	1 X 1/2 X 9-1/2
34 PM-HZF RD	4-7/16"	6 X 36	67-3/4	28-7/8	38-7/8	3-15/16	17-1/8	8	1 X 1/2 X 7-1/2
	5-7/16"		69-3/4	29-7/8	39-7/8	4-7/16		10	1 X 1/2 X 9-1/2
42 PM-HZF RD	4-7/16"	6 X 36	75-3/4	32-7/8	42-7/8	3-15/16	21-1/8	8	1 X 1/2 X 7-1/2
	5-7/16"		77-3/4	33-7/8	43-7/8	4-7/16		10	1 X 1/2 X 9-1/2
50 PM-HZF RD	4-7/16"	6 X 36	83-3/4	36-7/8	46-7/8	3-15/16	25-1/8	8	1 X 1/2 X 7-1/2
	5-7/16"		85-3/4	37-7/8	47-7/8	4-7/16		10	1 X 1/2 X 9-1/2
58 PM-HZF RD	4-7/16"	6 X 36	91-3/4	40-7/8	50-7/8	3-15/16	29-1/8	8	1 X 1/2 X 7-1/2
	5-7/16"		93-3/4	41-7/8	51-7/8	4-7/16		10	1 X 1/2 X 9-1/2
66 PM-HZF RD	4-7/16"	6 X 36	99-3/4	44-7/8	54-7/8	3-15/16	33-1/8	8	1 X 1/2 X 7-1/2
	5-7/16"		101-3/4	45-7/8	55-7/8	4-7/16		10	1 X 1/2 X 9-1/2



PM-HZF RD DIMENSION SHEET

DS 24-20-25

SIDE ELEVATION



[BLOWPIPE TRANSITION DIMENSIONS IN INCHES*]

PIPE DIAMETER "D"	"E"
13	18
14	18
15	18
16	18 - 24
17	18 - 24
18	18 - 24
19	18 - 24
20	18 - 24
21	24 - 30
22	24 - 30
23	24 - 30
24	24 - 30

[HOG WEIGHT AND ROTOR INERTIA]

MODEL	BEARING SIZE	WEIGHT (LBS)	WR ² (#FT ²)
18 PM-HZF RD	4-7/16"	7135	1620
	5-7/16"	7686	2269
26 PM-HZF RD	4-7/16"	8162	1765
	5-7/16"	8713	2415
34 PM-HZF RD	4-7/16"	9721	2560
	5-7/16"	9841	
42 PM-HZF RD	4-7/16"	10732	2705
	5-7/16"	10852	
50 PM-HZF RD	4-7/16"	11751	2851
	5-7/16"	11871	
58 PM-HZF RD	4-7/16"	12766	2996
	5-7/16"	12886	
66 PM-HZF RD	4-7/16"	13787	3141
	5-7/16"	13907	

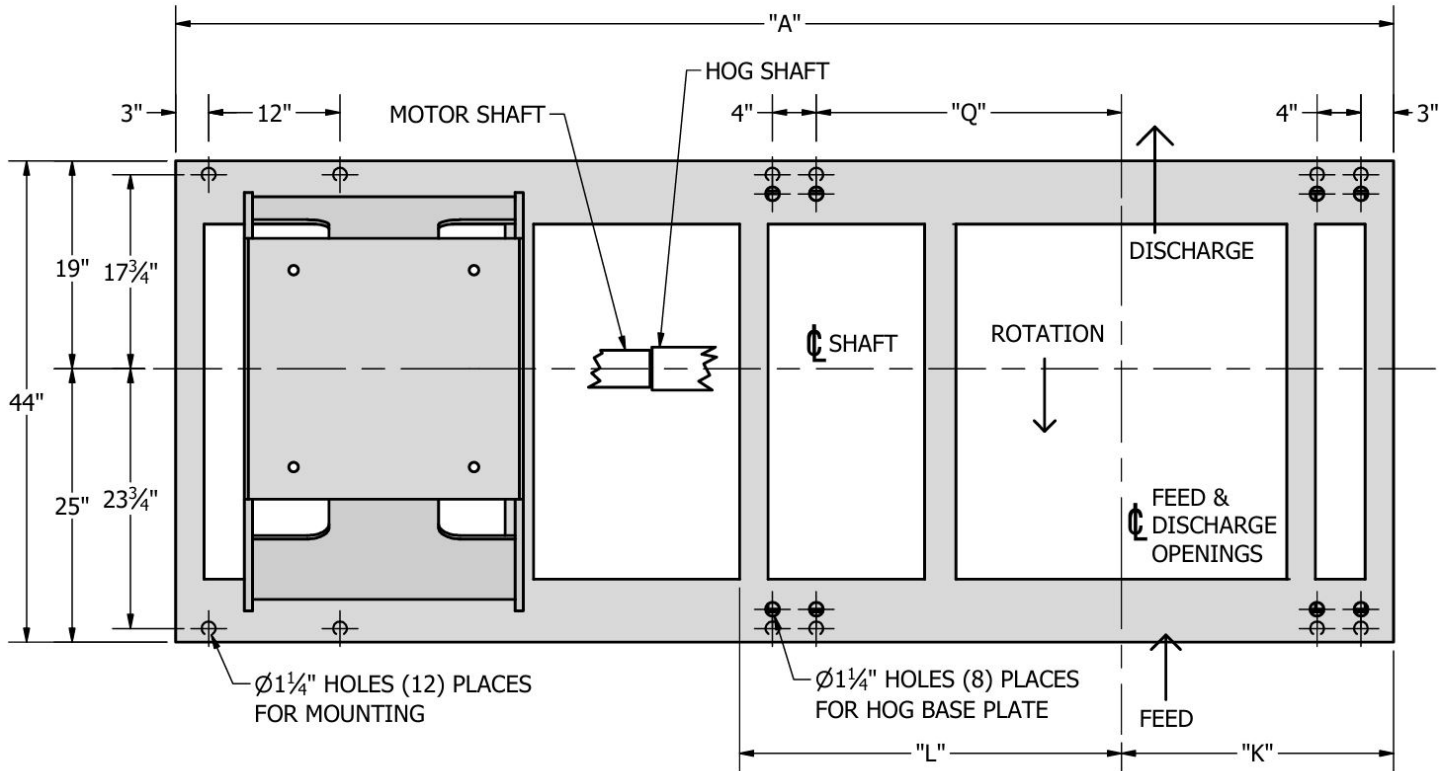
*DIMENSION "E" IS APPROXIMATE AND MAY VARY WITH APPLICATION. EXACT LENGTH IS DEPENDENT UPON INSTALLATION INFORMATION.



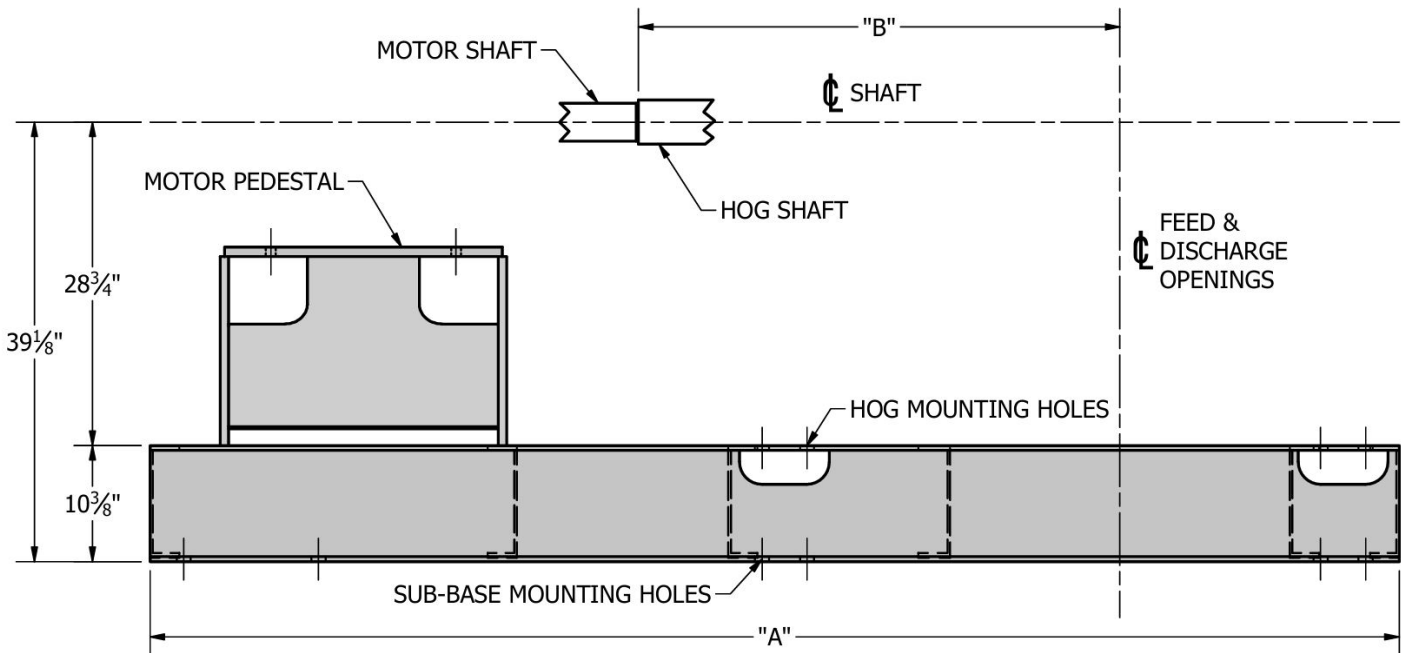
PM-HZF RD DIMENSION SHEET

DS 24-20-25

SUB-BASE OVERHEAD VIEW



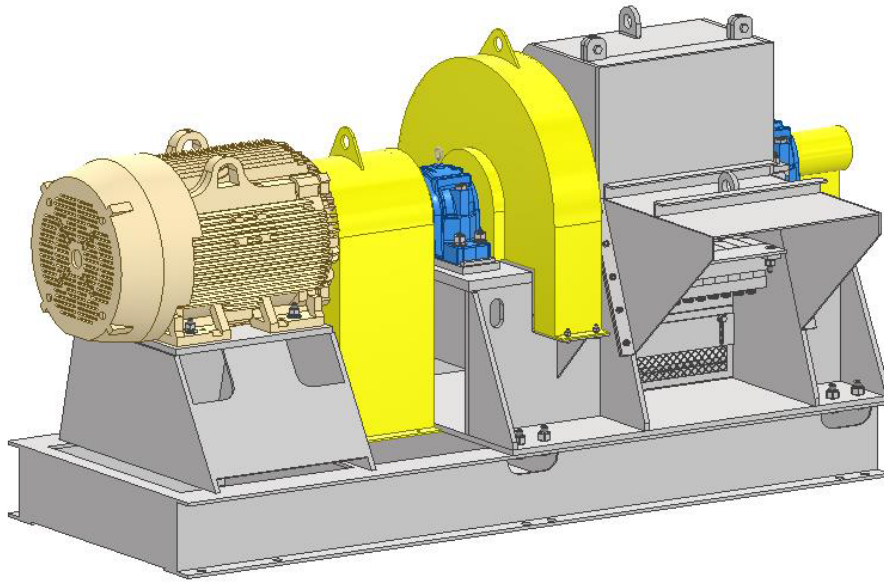
SUB-BASE FRONT ELEVATION





PM-HZF RD DIMENSION SHEET

DS 24-20-25



[SUB-BASE WEIGHT]

MODEL	BEARING SIZE	WEIGHT (LBS)
18 PM-HZF RD	4-7/16"	1124
	5-7/16"	1134
26 PM-HZF RD	4-7/16"	1162
	5-7/16"	1171
34 PM-HZF RD	4-7/16"	1199
	5-7/16"	1208
42 PM-HZF RD	4-7/16"	1236
	5-7/16"	1246
50 PM-HZF RD	4-7/16"	1274
	5-7/16"	1283
58 PM-HZF RD	4-7/16"	1311
	5-7/16"	1320
66 PM-HZF RD	4-7/16"	1348
	5-7/16"	1358

[SUB-BASE DIMENSIONS IN INCHES]

MODEL	BEARING SIZE	"A"	"B"	"K"	"L"	"Q"
18 PM-HZF RD	4-7/16"	103-1/4	38-7/8	20-7/8	30-7/8	23-7/8
	5-7/16"	107-1/4	41-7/8	21-7/8	31-7/8	24-7/8
26 PM-HZF RD	4-7/16"	111-1/4	42-7/8	24-7/8	34-7/8	27-7/8
	5-7/16"	115-1/4	45-7/8	25-7/8	35-7/8	28-7/8
34 PM-HZF RD	4-7/16"	119-1/4	46-7/8	28-7/8	38-7/8	31-7/8
	5-7/16"	123-1/4	49-7/8	29-7/8	39-7/8	32-7/8
42 PM-HZF RD	4-7/16"	127-1/4	50-7/8	32-7/8	42-7/8	35-7/8
	5-7/16"	131-1/4	53-7/8	33-7/8	43-7/8	36-7/8
50 PM-HZF RD	4-7/16"	135-1/4	54-7/8	36-7/8	46-7/8	39-7/8
	5-7/16"	139-1/4	57-7/8	37-7/8	47-7/8	40-7/8
58 PM-HZF RD	4-7/16"	143-1/4	58-7/8	40-7/8	50-7/8	43-7/8
	5-7/16"	147-1/4	61-7/8	41-7/8	51-7/8	44-7/8
66 PM-HZF RD	4-7/16"	151-1/4	62-7/8	44-7/8	54-7/8	47-7/8
	5-7/16"	155-1/4	65-7/8	45-7/8	55-7/8	48-7/8