



**PM Model Horizontal Hog – Bottom  
Discharge**

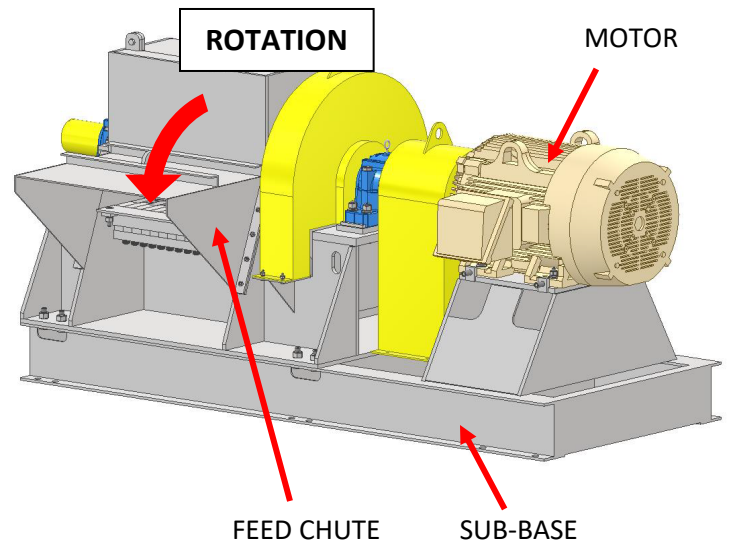
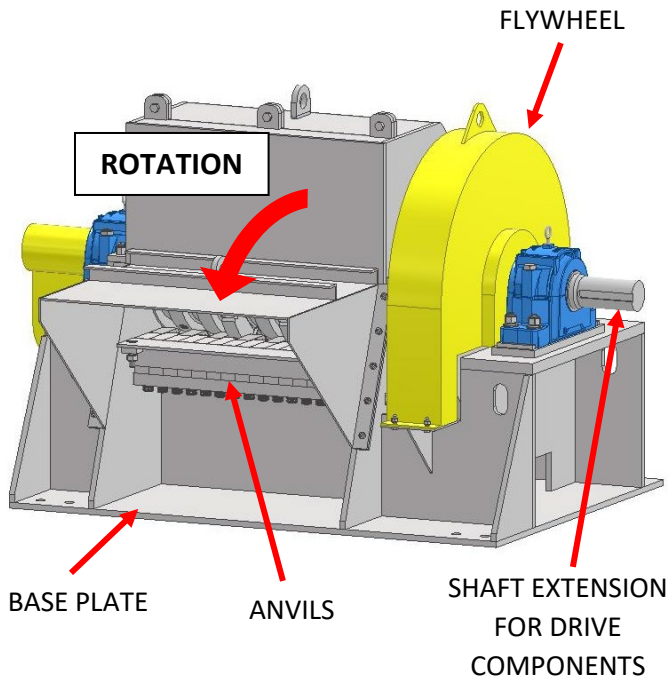
*Dimension Sheet*

*DS 24-21-24*



## PM-HZF BD DIMENSION SHEET

DS 24-21-24



### [GENERAL NOTES]

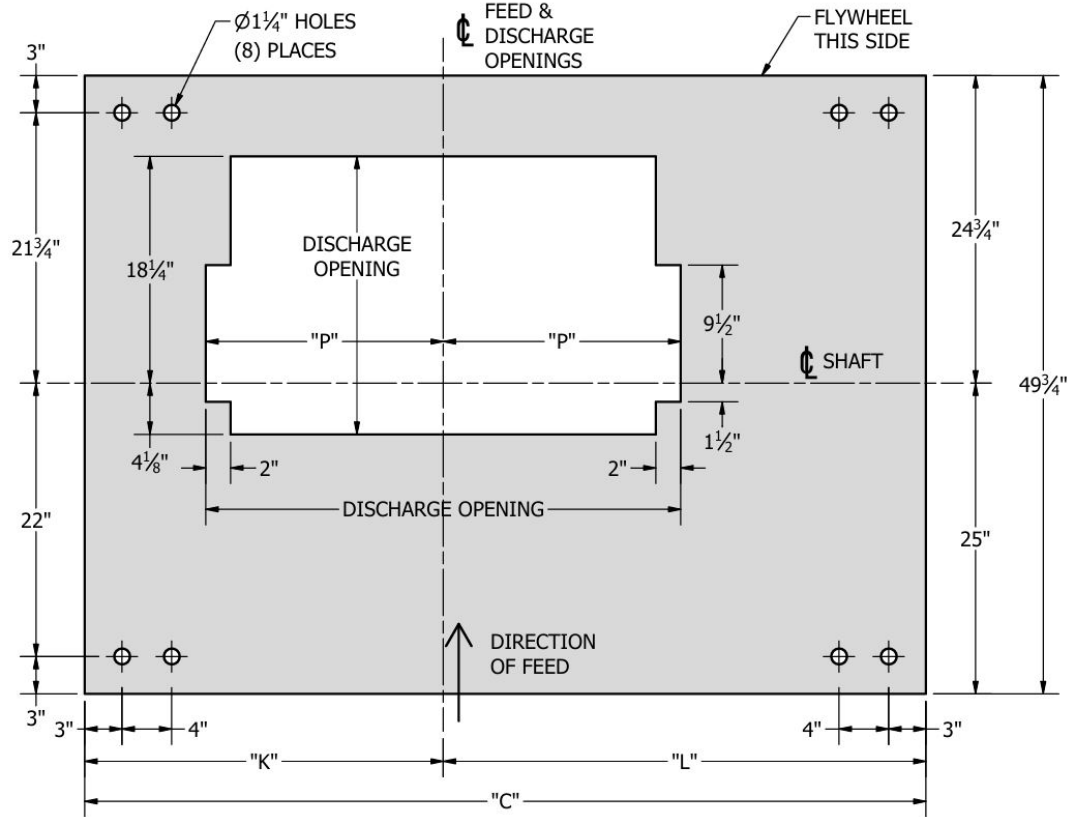
1. THE HOG MUST BE MOUNTED WITH THE BASE PLATE HORIZONTAL. DO NOT MOUNT THE HOG ON AN ANGLE TO FACILITATE FEEDING. FOUNDATIONS MUST BE SMOOTH, CLEAN, AND LEVEL. **THE UNIT MUST BE SHIMMED PRIOR TO TIGHTENING.** THE UNIT CAN BOW AND BIND, CAUSING EXCESSIVE STRESS IF ANCHORING ALTERS THE INHERENT CONTOUR OF THE BASE PLATE.
2. A REINFORCED CONCRETE FOUNDATION SHOULD EXTEND AT LEAST 6" BEYOND THE HOG ON ALL SIDES. THE MINIMUM THICKNESS IS 12". SEE *BULLETIN 57-06-22 FOUNDATION PREPARATION* FOR MORE INFORMATION.
3. ALL DIMENSIONS SHOWN ARE STANDARD AND MAY VARY WITH INSTALLATIONS.
4. THE HOG CAN BE BUILT OPPOSITE HAND FROM THAT SHOWN. THE FLYWHEEL CAN BE MOUNTED ON THE OPPOSITE END IF REQUESTED BEFORE MANUFACTURING HAS STARTED.
5. ALLOW 36" CLEARANCE AROUND THE MACHINE FOR MAINTENANCE.
6. THERE ARE EIGHT (8) 1-1/4" DIAMETER HOLES FOR SECURING THE HOG TO THE FOUNDATION OR SUB-BASE. FOUNDATION ANCHOR BOLTS TO BE 1" N.C., EXTENDING 3" ABOVE THE REINFORCED CONCRETE FOUNDATION. SEE *BULLETIN 57-06-22 FOUNDATION PREPARATION* FOR MORE INFORMATION.
7. IF THE HOG IS TO BE MOUNTED ON STEEL COLUMNS, THE SUPPORTING STRUCTURE SHOULD BE DESIGNED FOR 2-1/2 TIMES THE STATIC LOAD FOR SAFETY.



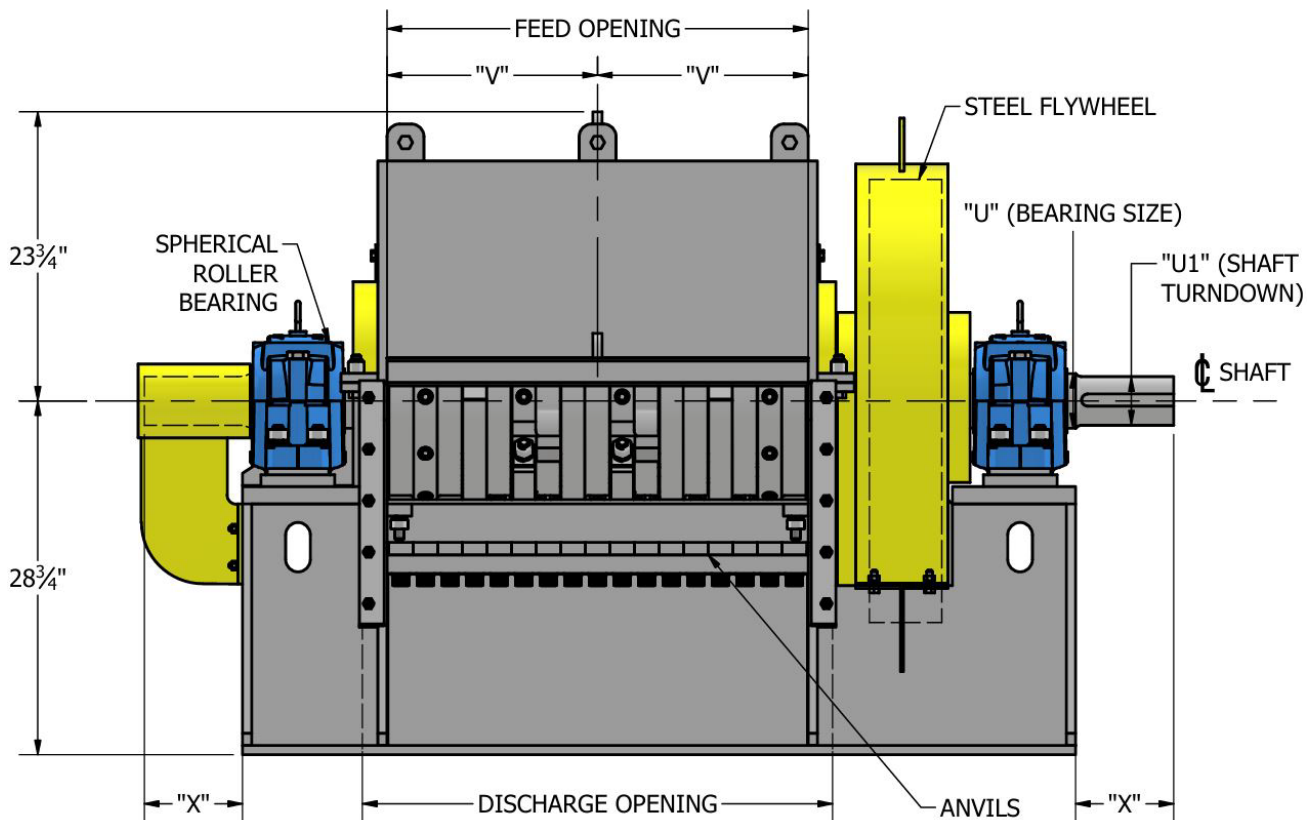
# PM-HZF BD DIMENSION SHEET

DS 24-21-24

## PLAN VIEW - BASE PLATE ONLY



## FRONT ELEVATION





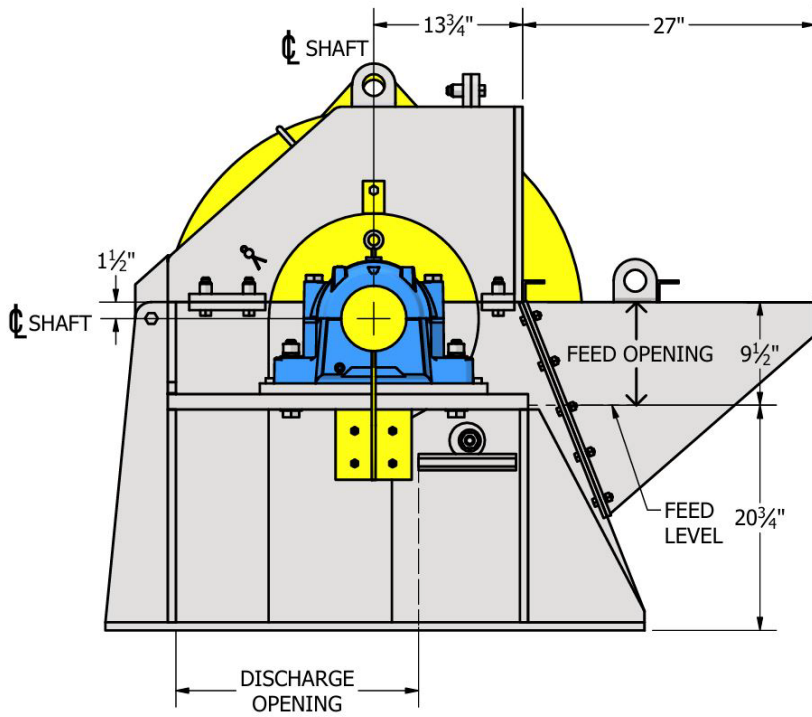
# PM-HZF BD DIMENSION SHEET

DS 24-21-24

## [HOG DIMENSIONS IN INCHES]

MODEL	BEARING SIZE "U"	STANDARD FLYWHEEL	"C"	"K"	"L"	"P"	"U1"	"V"	"X"	DRIVE KEYWAY
18 PM-HZF BD	4-7/16"	4 X 36	51-3/4	20-7/8	30-7/8	11-1/8	3-15/16	9-1/8	8	1 X 1/2 X 7-1/2
	5-7/16"	6 X 36	53-3/4	21-7/8	31-7/8		4-7/16		10	1 X 1/2 X 9-1/2
26 PM-HZF BD	4-7/16"	4 X 36	59-3/4	24-7/8	34-7/8	15-1/8	3-15/16	13-1/8	8	1 X 1/2 X 7-1/2
	5-7/16"	6 X 36	61-3/4	25-7/8	35-7/8		4-7/16		10	1 X 1/2 X 9-1/2
34 PM-HZF BD	4-7/16"	6 X 36	67-3/4	28-7/8	38-7/8	19-1/8	3-15/16	17-1/8	8	1 X 1/2 X 7-1/2
	5-7/16"		69-3/4	29-7/8	39-7/8		4-7/16		10	1 X 1/2 X 9-1/2
42 PM-HZF BD	4-7/16"	6 X 36	75-3/4	32-7/8	42-7/8	23-1/8	3-15/16	21-1/8	8	1 X 1/2 X 7-1/2
	5-7/16"		77-3/4	33-7/8	43-7/8		4-7/16		10	1 X 1/2 X 9-1/2
50 PM-HZF BD	4-7/16"	6 X 36	83-3/4	36-7/8	46-7/8	27-1/8	3-15/16	25-1/8	8	1 X 1/2 X 7-1/2
	5-7/16"		85-3/4	37-7/8	47-7/8		4-7/16		10	1 X 1/2 X 9-1/2
58 PM-HZF BD	4-7/16"	6 X 36	91-3/4	40-7/8	50-7/8	31-1/8	3-15/16	29-1/8	8	1 X 1/2 X 7-1/2
	5-7/16"		93-3/4	41-7/8	51-7/8		4-7/16		10	1 X 1/2 X 9-1/2
66 PM-HZF BD	4-7/16"	6 X 36	99-3/4	44-7/8	54-7/8	35-1/8	3-15/16	33-1/8	8	1 X 1/2 X 7-1/2
	5-7/16"		101-3/4	45-7/8	55-7/8		4-7/16		10	1 X 1/2 X 9-1/2

### SIDE ELEVATION



## [HOG WEIGHT AND ROTOR INERTIA]

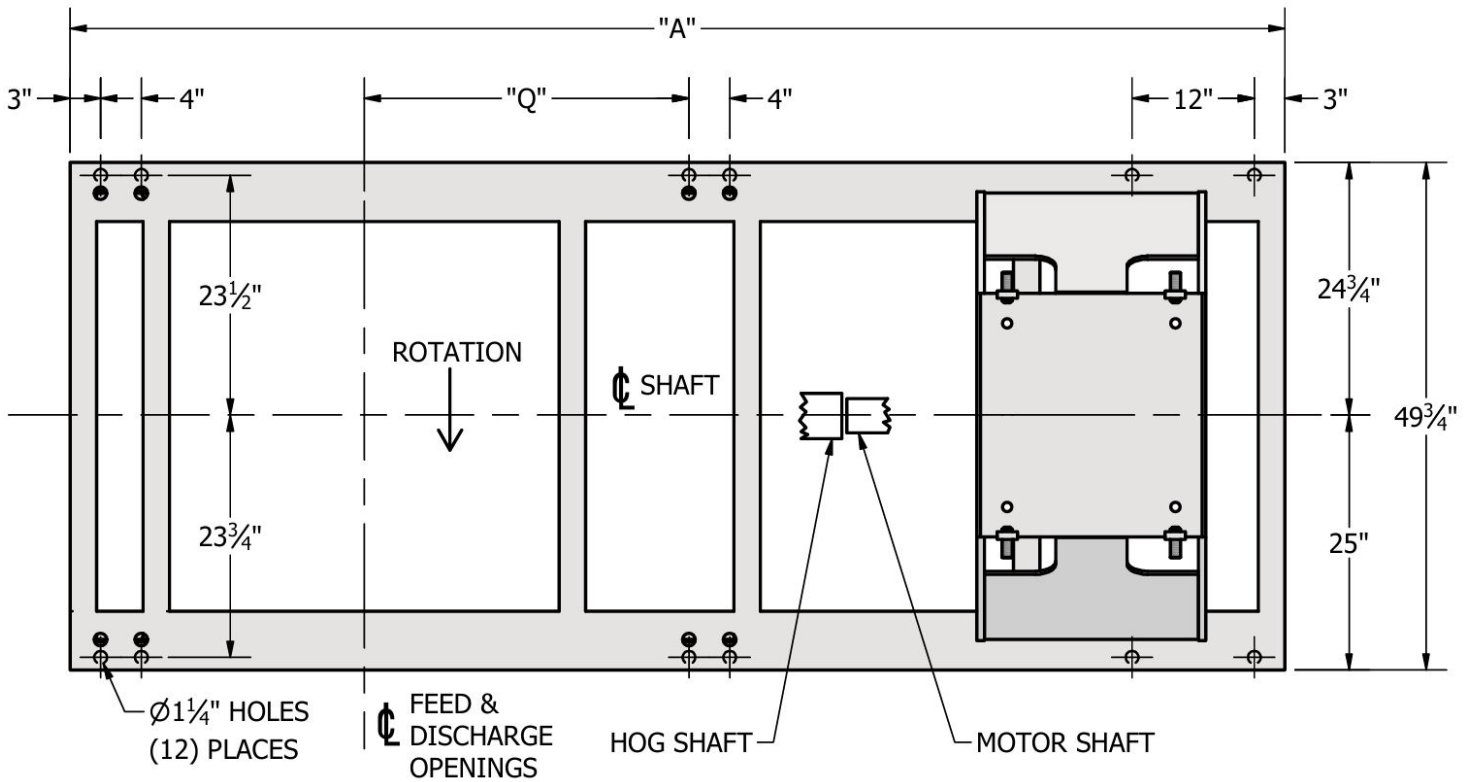
MODEL	BEARING SIZE	WEIGHT (LBS)	WR <sup>2</sup> (#FT <sup>2</sup> )
18 PM-HZF BD	4-7/16"	7225	1620
	5-7/16"	7776	2269
26 PM-HZF BD	4-7/16"	8234	1765
	5-7/16"	8902	2415
34 PM-HZF BD	4-7/16"	9798	2560
	5-7/16"	9855	
42 PM-HZF BD	4-7/16"	10803	2705
	5-7/16"	10923	
50 PM-HZF BD	4-7/16"	11816	2851
	5-7/16"	11936	
58 PM-HZF BD	4-7/16"	12848	2996
	5-7/16"	12968	
66 PM-HZF BD	4-7/16"	13838	3141
	5-7/16"	13958	



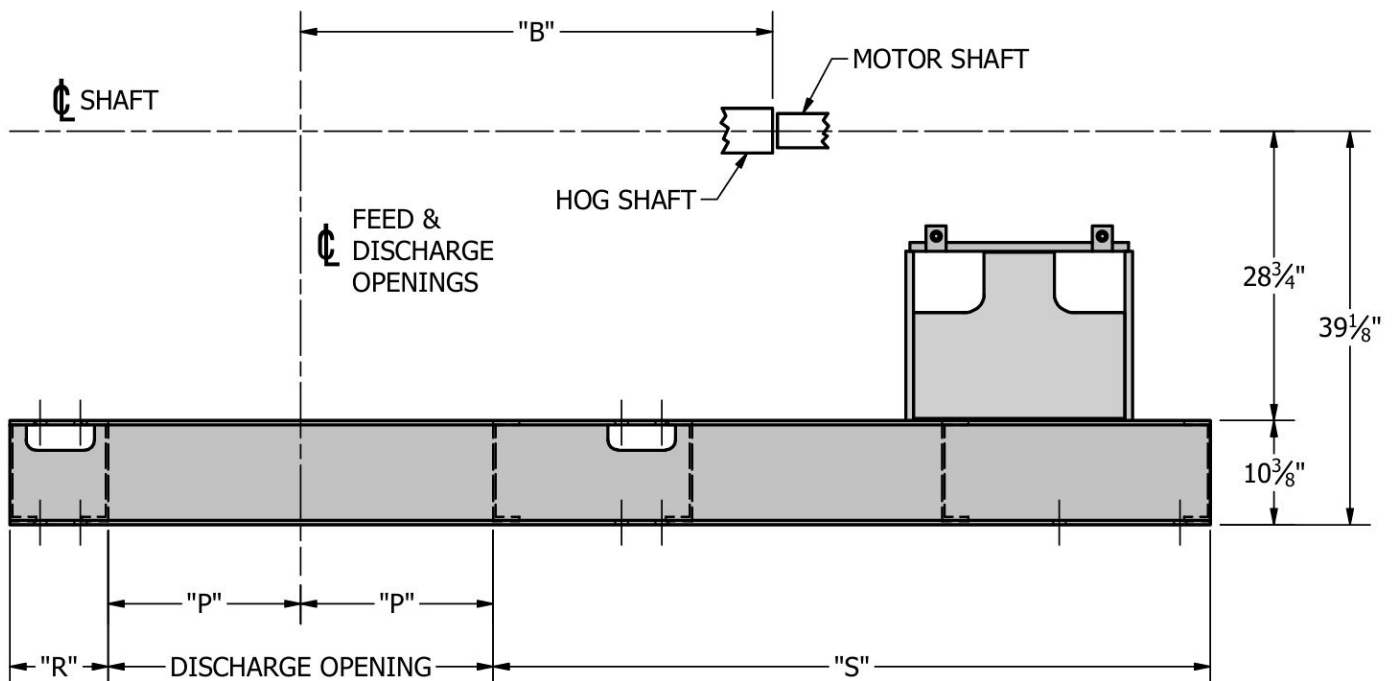
# PM-HZF BD DIMENSION SHEET

DS 24-21-24

## SUB-BASE OVERHEAD VIEW



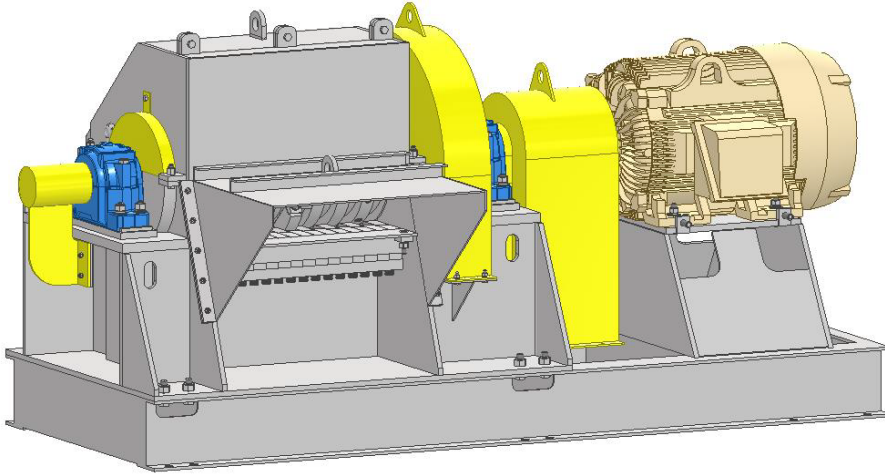
## SUB-BASE FRONT ELEVATION





# PM-HZF BD DIMENSION SHEET

DS 24-21-24



## [SUB-BASE WEIGHT]

MODEL	BEARING SIZE	WEIGHT (LBS)
18 PM-HZF BD	4-7/16"	1124
	5-7/16"	1134
26 PM-HZF BD	4-7/16"	1162
	5-7/16"	1171
34 PM-HZF BD	4-7/16"	1199
	5-7/16"	1208
42 PM-HZF BD	4-7/16"	1236
	5-7/16"	1246
50 PM-HZF BD	4-7/16"	1274
	5-7/16"	1283
58 PM-HZF BD	4-7/16"	1311
	5-7/16"	1320
66 PM-HZF BD	4-7/16"	1348
	5-7/16"	1358

## [SUB-BASE DIMENSIONS IN INCHES]

MODEL	BEARING SIZE	"A"	"B"	"P"	"Q"	"R"	"S"
18 PM-HZF BD	4-7/16"	103-1/4	38-7/8	11-1/8	23-7/8	9-3/4	71-1/4
	5-7/16"	107-1/4	41-7/8		24-7/8	10-3/4	74-1/4
26 PM-HZF BD	4-7/16"	111-1/4	42-7/8	15-1/8	27-7/8	9-3/4	71-1/4
	5-7/16"	115-1/4	45-7/8		28-7/8	10-3/4	74-1/4
34 PM-HZF BD	4-7/16"	119-1/4	46-7/8	19-1/8	31-7/8	9-3/4	71-1/4
	5-7/16"	123-1/4	49-7/8		32-7/8	10-3/4	74-1/4
42 PM-HZF BD	4-7/16"	127-1/4	50-7/8	23-1/8	35-7/8	9-3/4	71-1/4
	5-7/16"	131-1/4	53-7/8		36-7/8	10-3/4	74-1/4
50 PM-HZF BD	4-7/16"	135-1/4	54-7/8	27-1/8	39-7/8	9-3/4	71-1/4
	5-7/16"	139-1/4	57-7/8		40-7/8	10-3/4	74-1/4
58 PM-HZF BD	4-7/16"	143-1/4	58-7/8	31-1/8	43-7/8	9-3/4	71-1/4
	5-7/16"	147-1/4	61-7/8		44-7/8	10-3/4	74-1/4
66 PM-HZF BD	4-7/16"	151-1/4	62-7/8	35-1/8	47-7/8	9-3/4	71-1/4
	5-7/16"	155-1/4	65-7/8		48-7/8	10-3/4	74-1/4