



Horizontal Feed HD Model Blo-Hog

Dimension Sheet

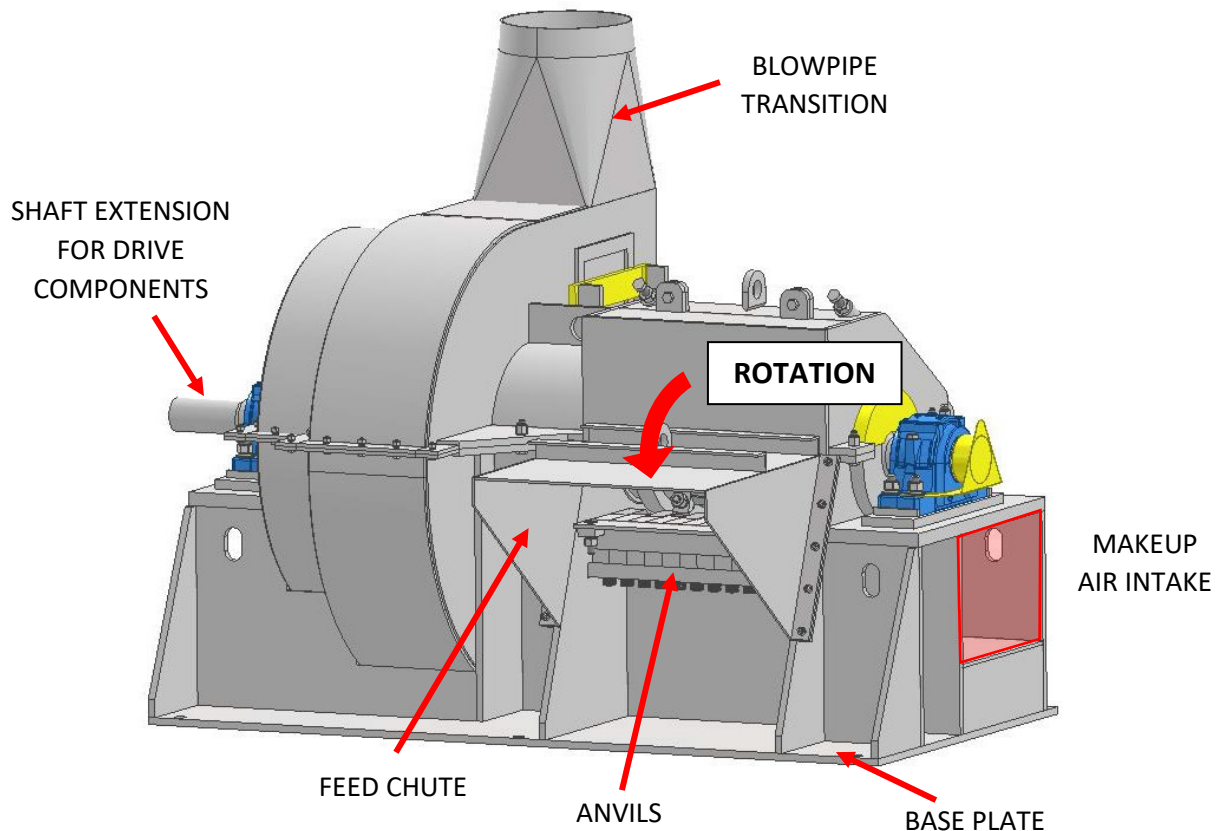
DS 24-18-24

2017 Thelma Street | P.O. Box 3687
Jacksonville, Florida 32206 U.S.A.
Phone: (904) 355-5671
www.montgomeryindustries.com



HD-HZF-BH DIMENSION SHEET

DS 24-18-24



[GENERAL NOTES]

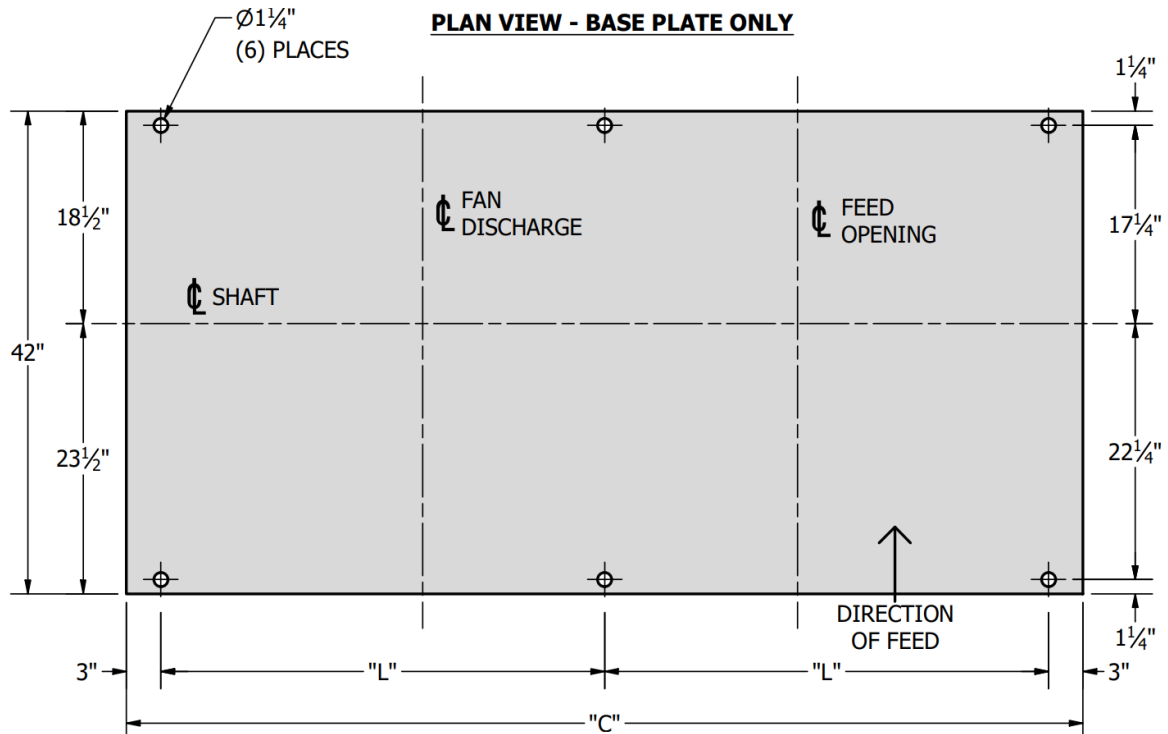
1. THE HOG MUST BE MOUNTED WITH THE BASE PLATE HORIZONTAL. DO NOT MOUNT THE HOG ON AN ANGLE TO FACILITATE FEEDING. FOUNDATIONS MUST BE SMOOTH, CLEAN, AND LEVEL. **THE UNIT MUST BE SHIMMED PRIOR TO TIGHTENING.** THE UNIT CAN BOW AND BIND, CAUSING EXCESSIVE STRESS IF ANCHORING ALTERS THE INHERENT CONTOUR OF THE BASE PLATE.
2. A REINFORCED CONCRETE FOUNDATION SHOULD EXTEND AT LEAST 6" BEYOND THE HOG ON ALL SIDES. THE MINIMUM THICKNESS IS 12". SEE *BULLETIN 57-06-22 FOUNDATION PREPARATION* FOR MORE INFORMATION.
3. ALL DIMENSIONS SHOWN ARE STANDARD AND MAY VARY WITH INSTALLATIONS.
4. THE HOG CAN BE BUILT OPPOSITE HAND FROM THAT SHOWN. THE FLYWHEEL AND FAN CAN BE ON THE OPPOSITE END IF REQUESTED BEFORE MANUFACTURING HAS STARTED.
5. ALLOW 36" CLEARANCE AROUND THE MACHINE FOR MAINTENANCE. **DO NOT BLOCK THE MAKEUP AIR INLET.**
6. BLO-HOG MODELS SHOULD HAVE SPEED AND POWER CORRECTED FOR ALTITUDE FOR INSTALLATIONS ABOVE 2000 FT MSL.
7. THERE ARE SIX (6) 1-1/4" DIAMETER HOLES IN THE BASE PLATE FOR SECURING TO THE FOUNDATION OR SUB-BASE. FOUNDATION ANCHOR BOLTS TO BE 1" N.C., EXTENDING 3" ABOVE THE REINFORCED CONCRETE FOUNDATION. SEE *BULLETIN 57-06-22 FOUNDATION PREPARATION* FOR MORE INFORMATION.
8. IF THE HOG IS TO BE MOUNTED ON STEEL COLUMNS, THE SUPPORTING STRUCTURE SHOULD BE DESIGNED FOR 2-1/2 TIMES THE STATIC LOAD FOR SAFETY.



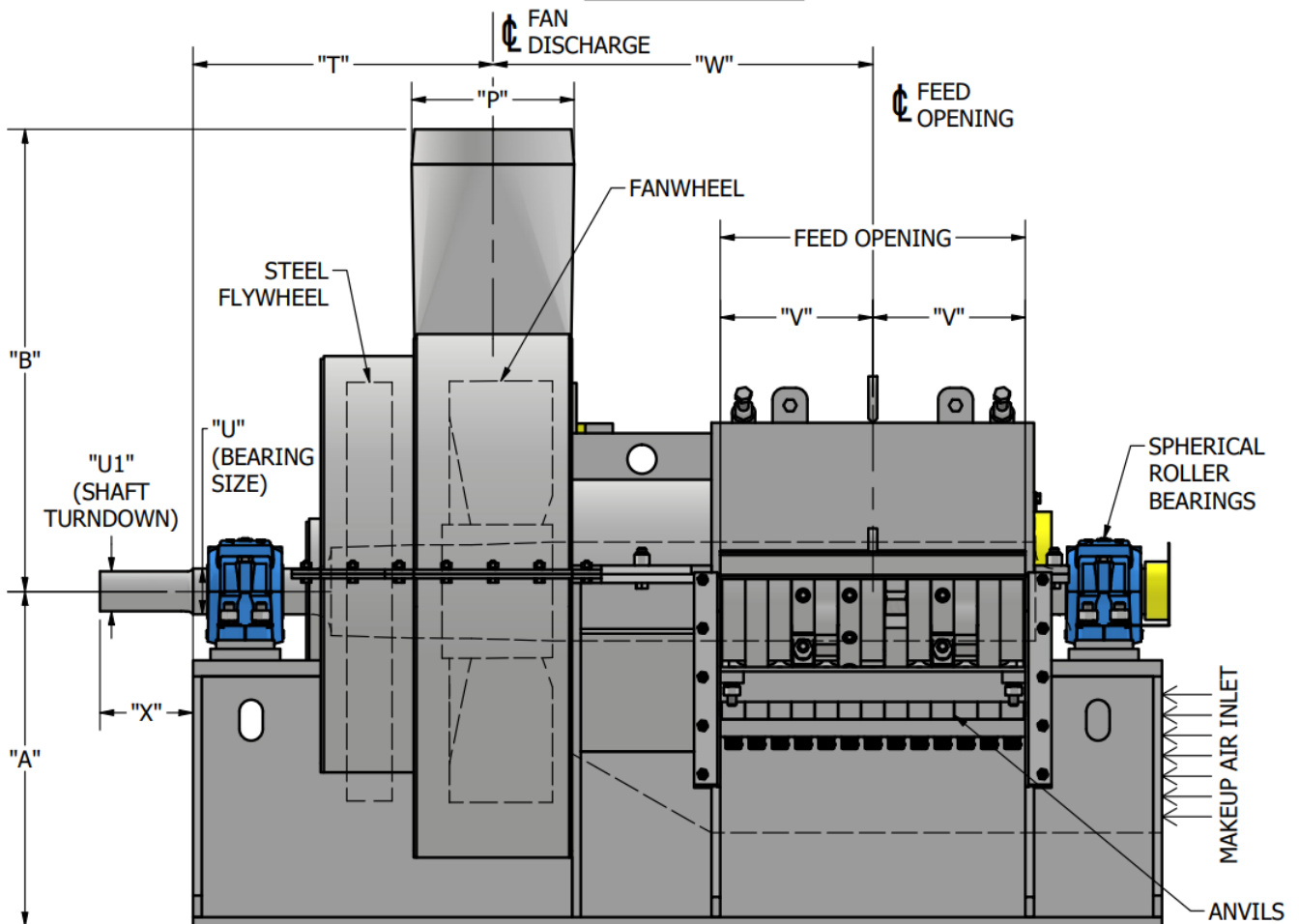
HD-HZF-BH DIMENSION SHEET

DS 24-18-24

PLAN VIEW - BASE PLATE ONLY



FRONT ELEVATION





HD-HZF-BH DIMENSION SHEET

DS 24-18-24

[HOG DIMENSIONS IN INCHES]

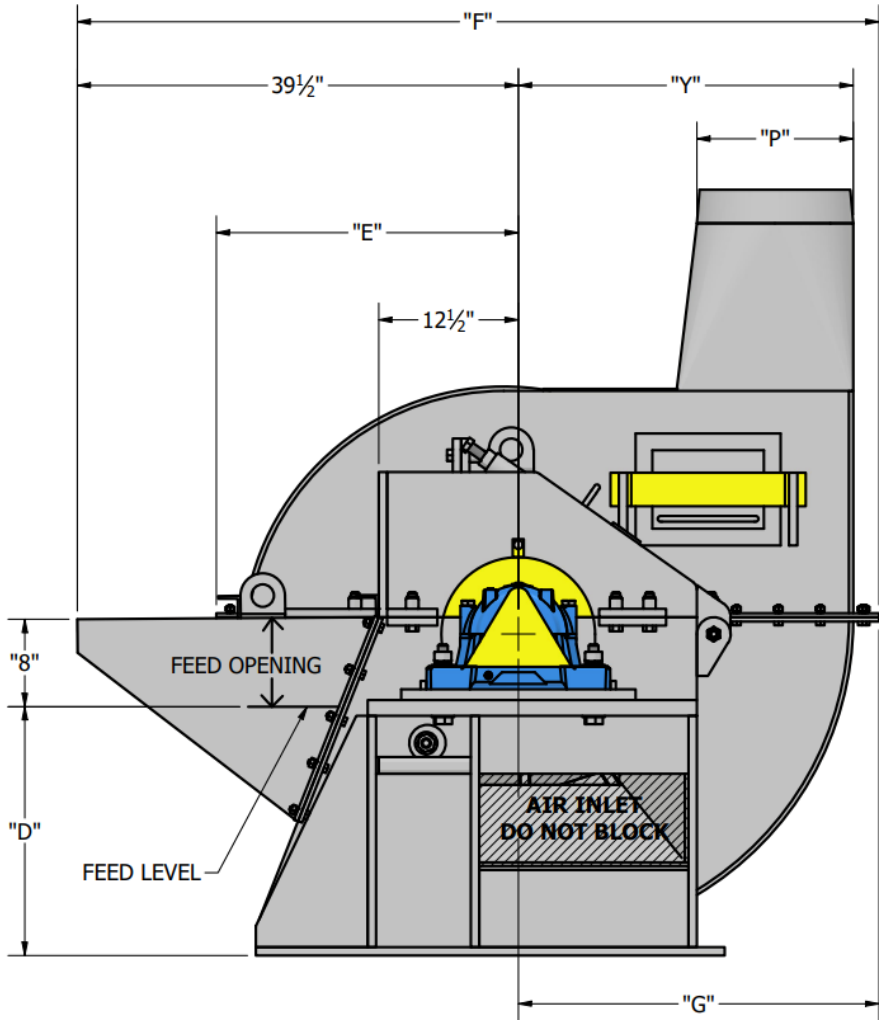
MODEL	BEARING SIZE "U"	STANDARD FLYWHEEL	"A"	"B"	"C"	"L"	"P" (RANGE)	"T"	"U1"	"V"	"W"	"X"	DRIVE KEYWAY
10HD40-HZF	3-15/16	4 X 36	28-3/4	39-3/4	67-3/8	30-11/16	13 – 17	25-13/16	3-7/16	5-1/8	24-11/16	7	7/8 X 7/16 X 6-7/16
18HD40-HZF	3-15/16	4 X 36	28-3/4	39-3/4	75-3/8	34-11/16	13 – 17	25-13/16	3-7/16	9-1/8	28-11/16	8	7/8 X 7/16 X 7-7/16
	4-7/16								3-15/16				1 X 1/2 X 7-1/2
26HD40-HZF	3-15/16	4 X 36	28-3/4	39-3/4	83-3/8	38-11/16	13 – 17	25-13/16	3-7/16	13-1/8	32-11/16	8	7/8 X 7/16 X 7-7/16
	4-7/16								3-15/16				1 X 1/2 X 7-1/2
34HD40-HZF	3-15/16	4 X 36	28-3/4	39-3/4	91-3/8	42-11/16	13 – 17	25-13/16	3-7/16	17-1/8	36-11/16	10	7/8 X 7/16 X 8-7/16
	4-7/16								3-15/16				1 X 1/2 X 8-1/2
34HD50-HZF	3-15/16	4 X 36	35-7/8	45-3/8	100-7/8	47-7/16	18 – 21	27-9/16	3-7/16				44-7/8
	4-7/16	6 X 36							3-15/16	1 X 1/2 X 8-1/2			
42HD40-HZF	3-15/16	6 X 36	28-3/4	39-3/4	99-3/8	46-11/16	13 – 17	25-13/16	3-7/16	21-1/8	40-11/16	10	7/8 X 7/16 X 8-7/16
	4-7/16								3-15/16				1 X 1/2 X 8-1/2
42HD50-HZF	4-7/16	6 X 36	35-7/8	45-3/8	108-7/8	51-7/16	18 – 21	27-9/16	3-15/16				



HD-HZF-BH DIMENSION SHEET

DS 24-18-24

SIDE ELEVATION



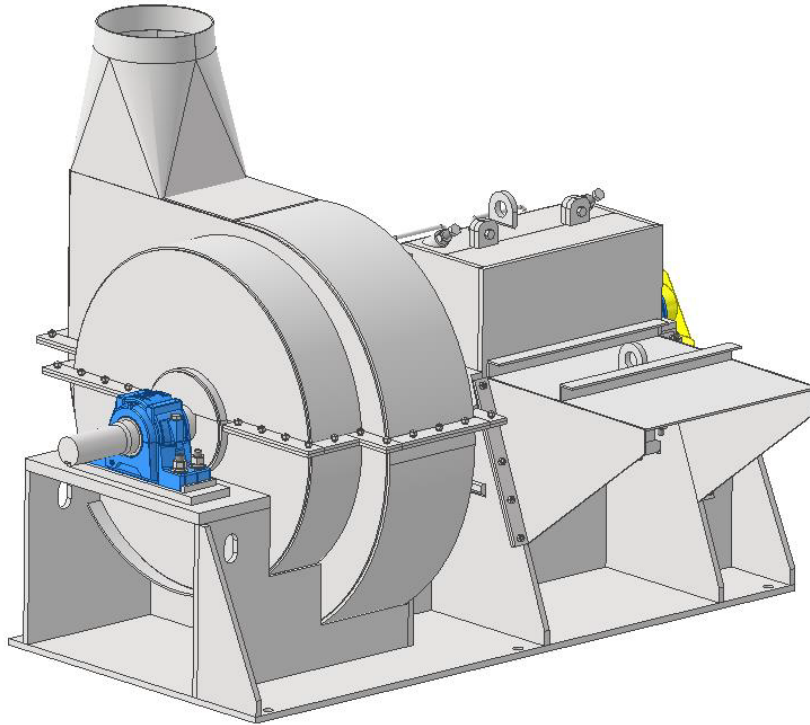
[HOG DIMENSIONS IN INCHES - CONTINUED]

MODEL	BEARING SIZE	"D"	"E"	"F"	"G"	"Y"
10HD40-HZF	3-15/16	22-1/4	26-7/8	71-5/8	32-1/8	29-5/8
18HD40-HZF	3-15/16	22-1/4	26-7/8	71-5/8	32-1/8	29-5/8
	4-7/16					
26HD40-HZF	3-15/16	22-1/4	26-7/8	71-5/8	32-1/8	29-5/8
	4-7/16					
34HD40-HZF	3-15/16	22-1/4	26-7/8	71-5/8	32-1/8	29-5/8
	4-7/16					
34HD50-HZF	3-15/16	29-3/8	33-1/4	79-1/2	40	37-1/2
	4-7/16					
42HD40-HZF	3-15/16	22-1/4	26-7/8	71-5/8	32-1/8	29-5/8
	4-7/16					
42HD50-HZF	4-7/16	29-3/8	33-1/4	79-1/2	40	37-1/2



HD-HZF-BH DIMENSION SHEET

DS 24-18-24



[HOG WEIGHT AND ROTOR INERTIA]

MODEL	BEARING SIZE	WEIGHT (LBS)	WR ² (#FT ²)
10HD40-HZF	3-15/16	7,000	1,924
18HD40-HZF	3-15/16	7,800	1,986
	4-7/16	7,900	
26HD40-HZF	3-15/16	8,600	2,048
	4-7/16	8,700	
34HD40-HZF	3-15/16	9,400	2,110
	4-7/16	9,500	
34HD50-HZF	3-15/16	9,900	2,603
	4-7/16	10,450	3,252
42HD40-HZF	3-15/16	10,200	2,172
	4-7/16	10,300	
42HD50-HZF	4-7/16	11,250	3,314