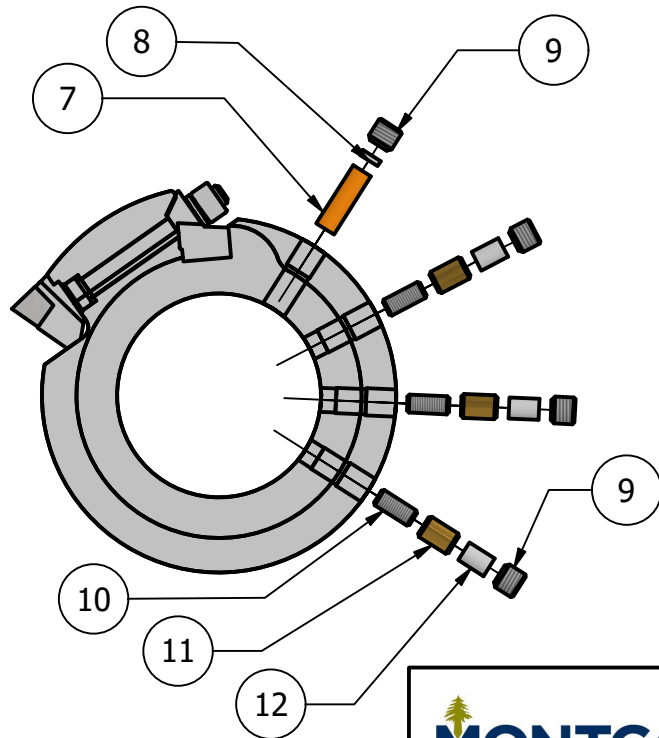
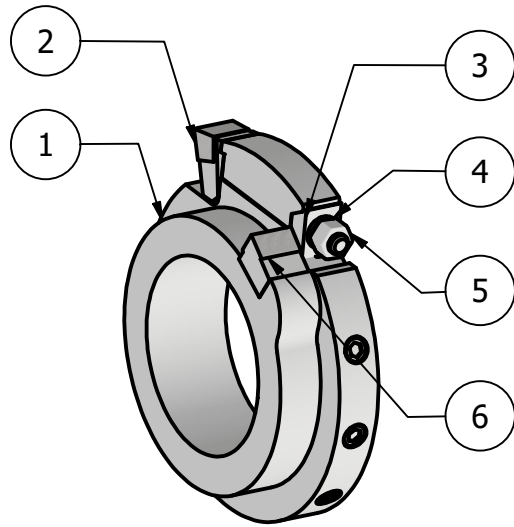


HD-GM RING ASSEMBLY PARTS LIST

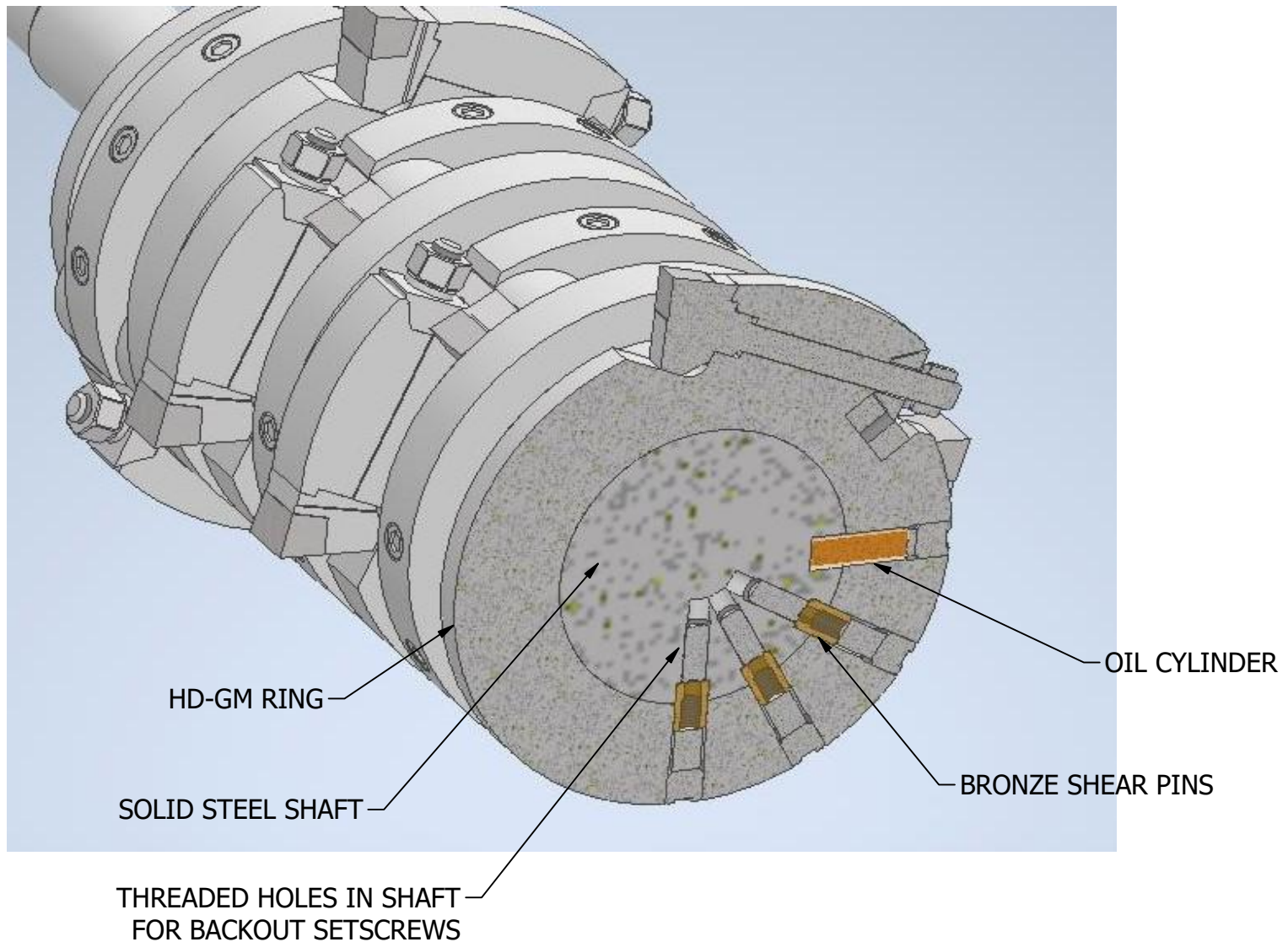
**HD-GM RINGS USED ON FS & HD SERIES HOGS*



PARTS LIST			
ITEM	PART NUMBER	DESCRIPTION	QTY PER RING
1	304-03555	4" HD-GM RING	1
2	301-03587	T3 TOOTH	1
3	310-03933	HD WEDGE	1
4	153-08802	7/8" LOCK WASHER	1
5	152-08801-02	7/8" HEX NUT, HEAVY	1
6	301-03582	INSIDE TOOTH	1
7	330-03930	OIL CYLINDER	1
8	311-03935	SPACER, 7/8" X 1/4" - HD-GM OIL CYLINDER	1
9	151-11355	1-1/8" X 1" SOCKET SETSCREW	4
10	151-07565	3/4" X 1-3/4" SOCKET SETSCREW	3
11	154-03759-6	SHEAR PIN, BRONZE	3
12	311-03936	SPACER, 7/8" X 1-1/4" - HD-GM SHEAR PIN	3

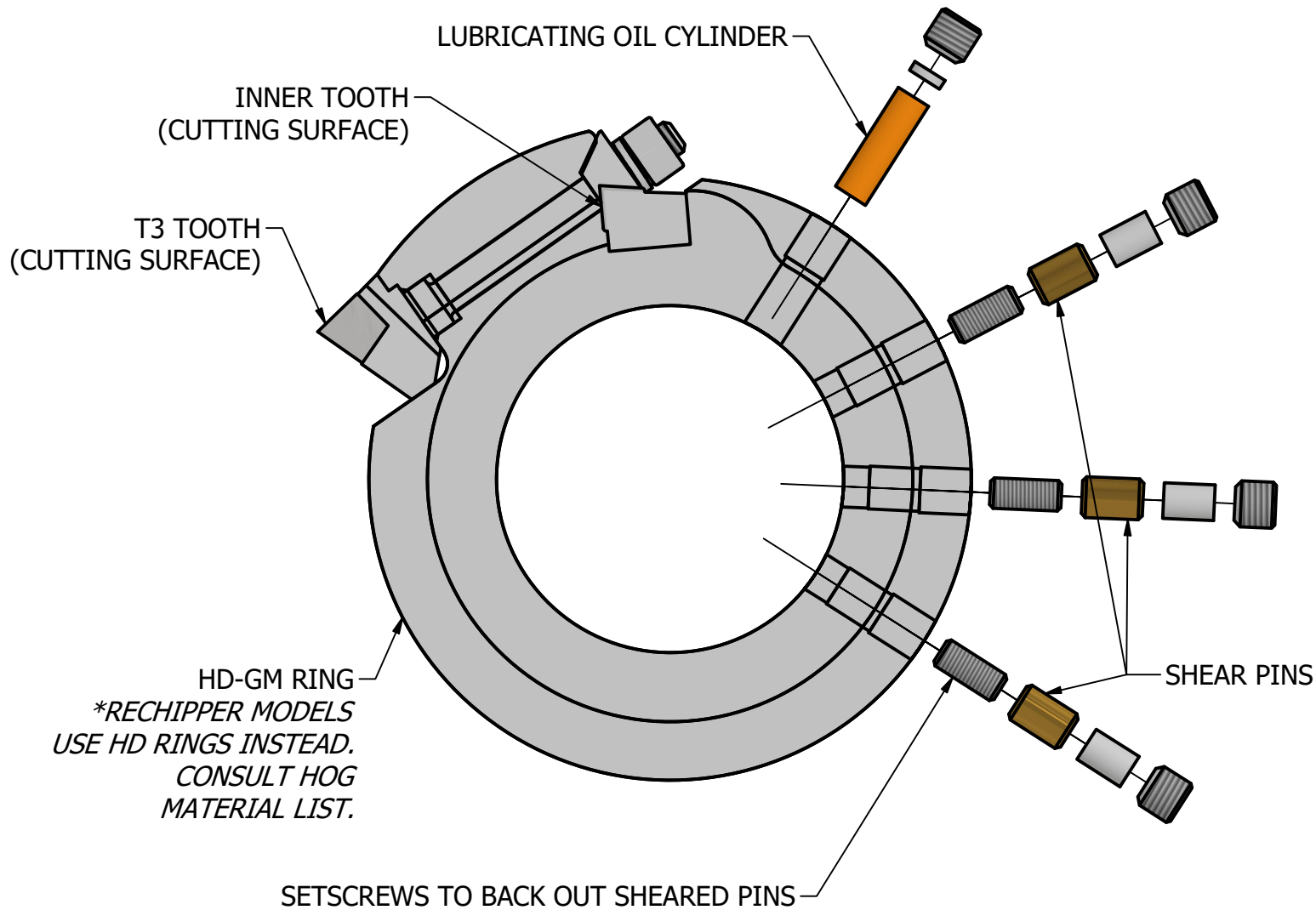
HD-ER ROTOR, CROSS-SECTIONAL VIEW

**HD-GM RINGS USED ON FS & HD SERIES HOGS*



HD-GM RING ASSEMBLY, EXPLODED VIEW

**HD-GM RINGS USED ON FS & HD SERIES HOGS*




MONTGOMERY
 INDUSTRIES INTERNATIONAL

2017 Thelma Street | PO Box 3687
 Jacksonville, Florida 32206 USA
 Phone: (904) 355-5671 | Fax:
 (904) 355-0401
www.montgomeryindustries.com

<u>EQUIPMENT:</u>	HD-GM SHEAR PIN ASSEMBLY	
<u>MATERIAL LIST:</u>	---	PAGE 3 OF 3