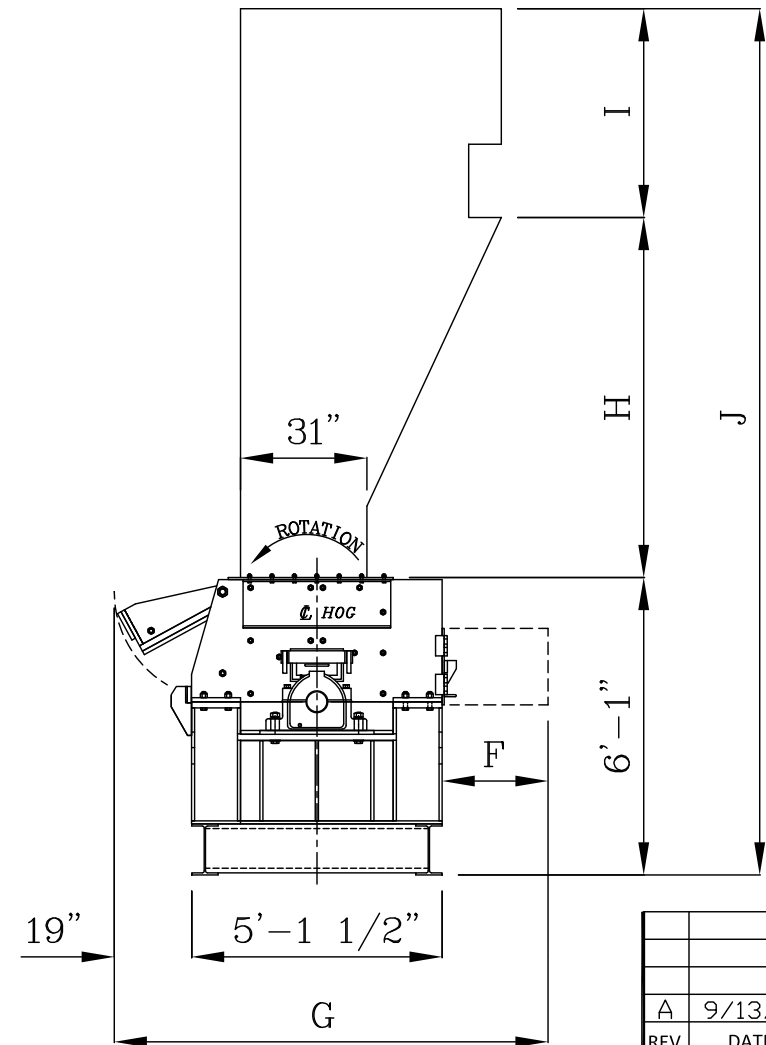
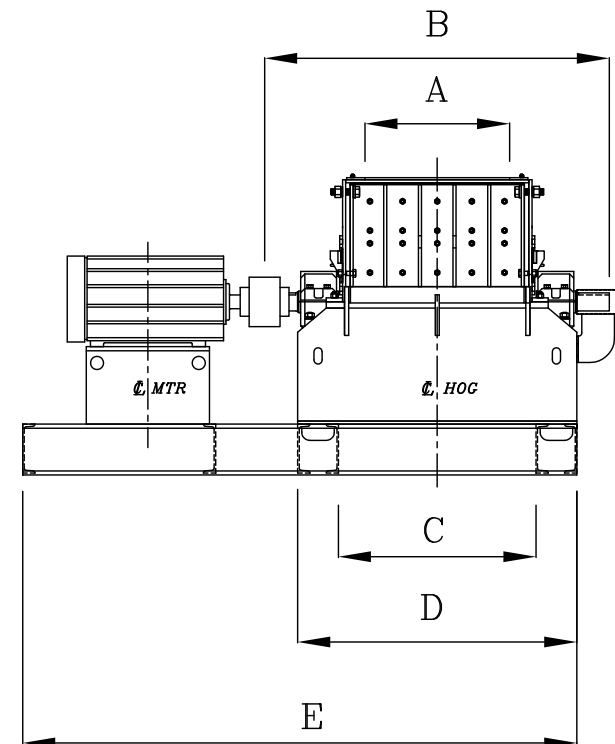
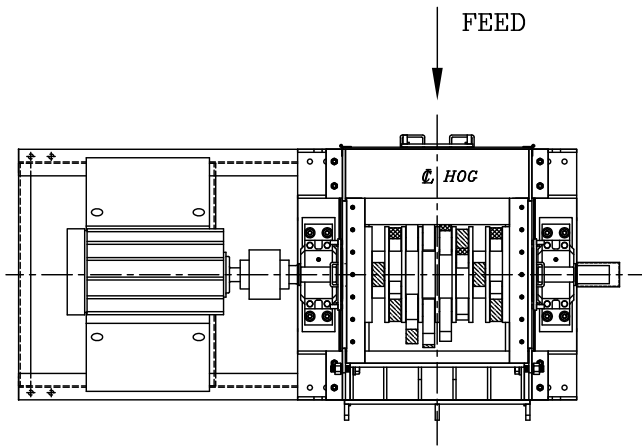


RANGE OF SIZES

MODEL	A	B	C	D	E	F	G
27HH36	27"	76"	39 1/2"	60"	128 1/2"	21"	8'-5 1/2"
36HH36	35 1/2"	84 1/2"	48"	68 1/2"	137"	26"	8'-10 1/2"
44HH36	44"	93"	56 1/2"	77"	145 1/2"	30"	9'-2 1/2"
53HH36	52 1/2"	101 1/2"	65"	85 1/2"	154"	35"	9'-7 1/2"
61HH36	61"	110"	73 1/2"	94"	162 1/2"	39"	9'-11 1/2"
70HH36	69 1/2"	118 1/2"	82"	112 1/2"	171"	44"	10'-4 1/2"



← FEED

MODEL HH36

31" FEED OPENING

SCRAP	H	I	J
5-FT	36 7/8"	39 1/4"	12'-5 1/8"
6-FT	54"	43 1/4"	14'-2 1/4"
7-FT	71 1/4"	47 1/4"	15'-11 1/2"
8-FT	88 3/8"	51 1/4"	17'-8 5/8"

REV.	DATE	DESCRIPTION	APP'D
A	9/13/12	ISSUE	

All fractional dimensions to be +/- 1/32" unless otherwise noted. Decimal dimensions to be as shown.

This drawing in design and detail is the property of Montgomery Industries International. All rights of design or invention are reserved.

FOR: INFORMATION ONLY
EQUIPMENT: GENERAL ARRANGEMENT OF HOG, SUB-BASE AND FEED HOPPER FOR MODEL HH36.

MONTGOMERY INDUSTRIES INTERNATIONAL
2017 Thelma Street | PO Box 3687
Jacksonville, Florida 32206 U.S.A.
Ph (904) 355-5671 Fax (904) 355-0401
www.montgomeryindustries.com

DRAWN: JCM CHECKED: JCM DESIGNED: MII

APP'D: DATE: 9-13-2012 PAGE 1 OF 1

DRAWING: L-400-00000 REV. A