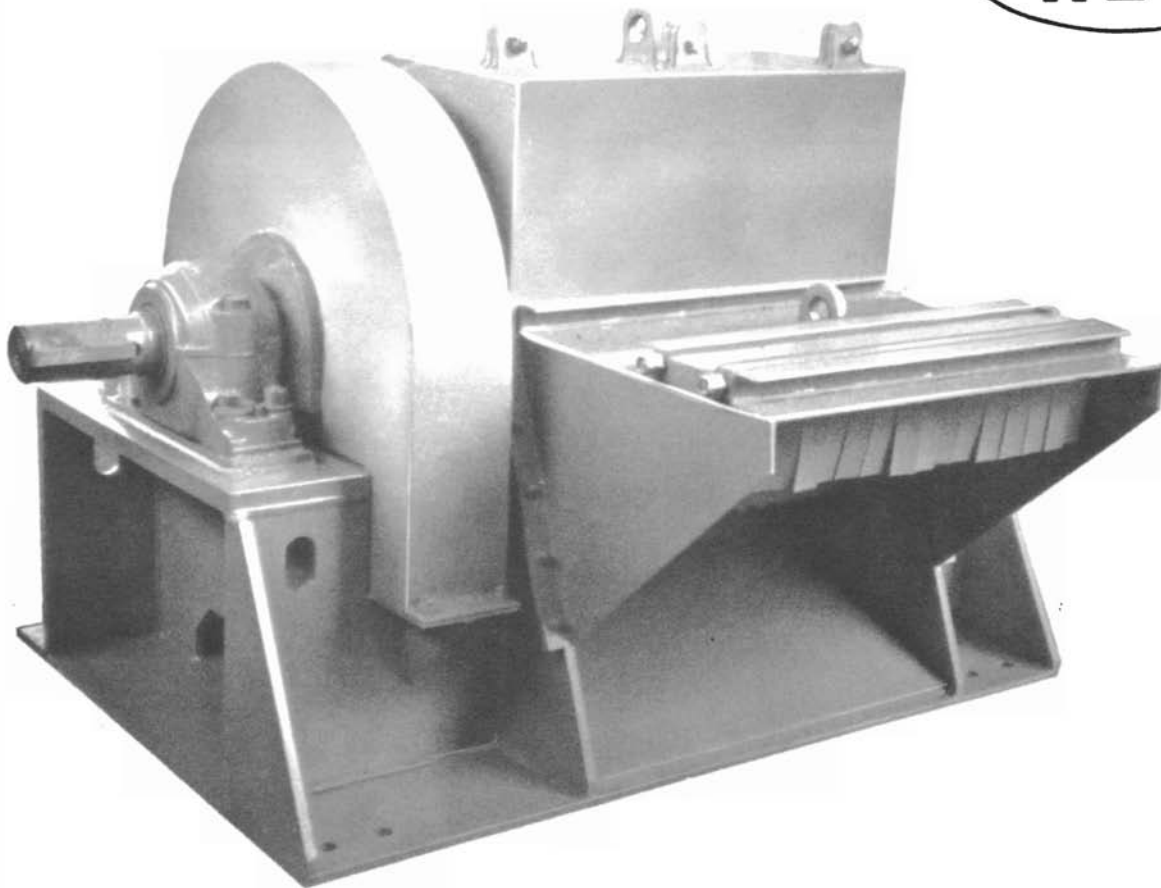


Montgomery

**H.D. MODEL
EAT-RITE HOG**

Horizontal Feed-Bottom Discharge



MONTGOMERY INDUSTRIES INTERNATIONAL, INC.

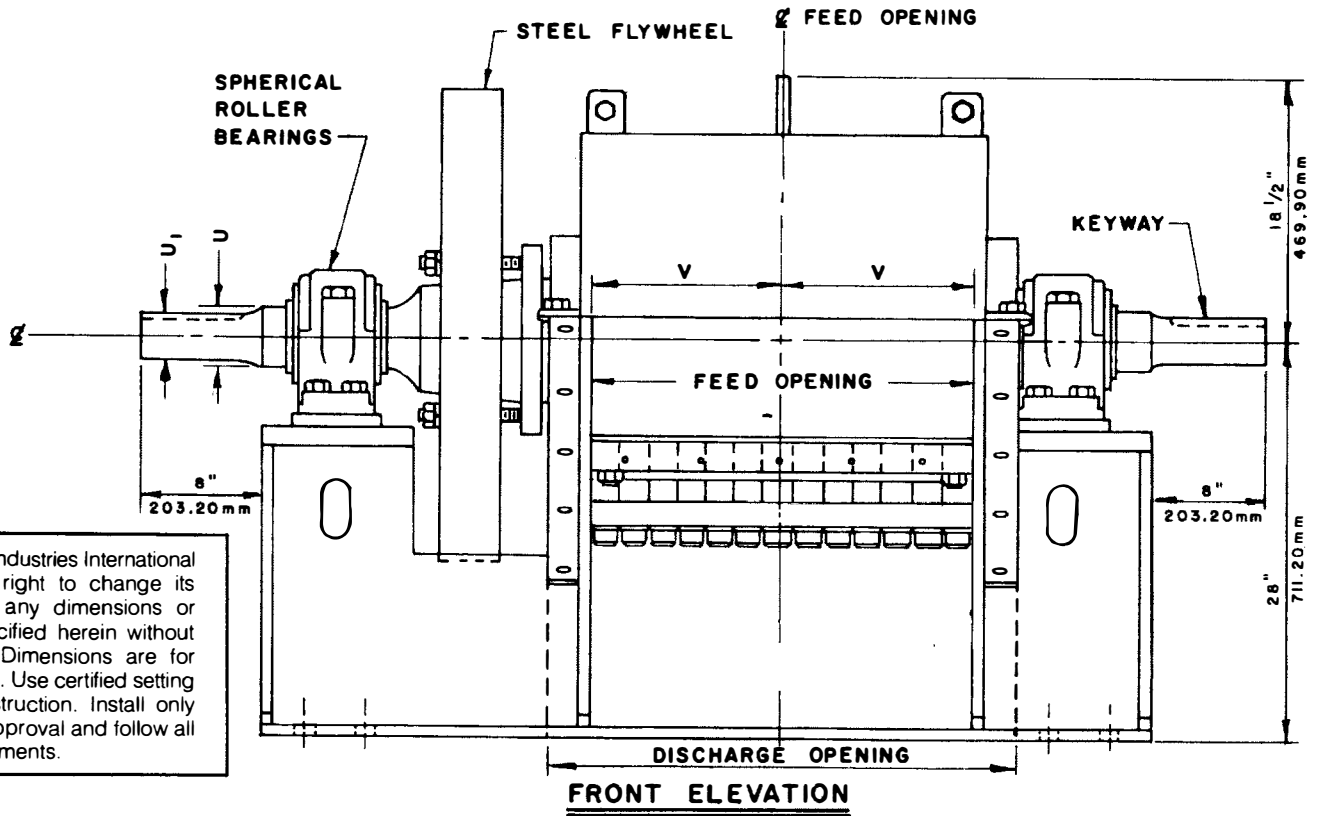
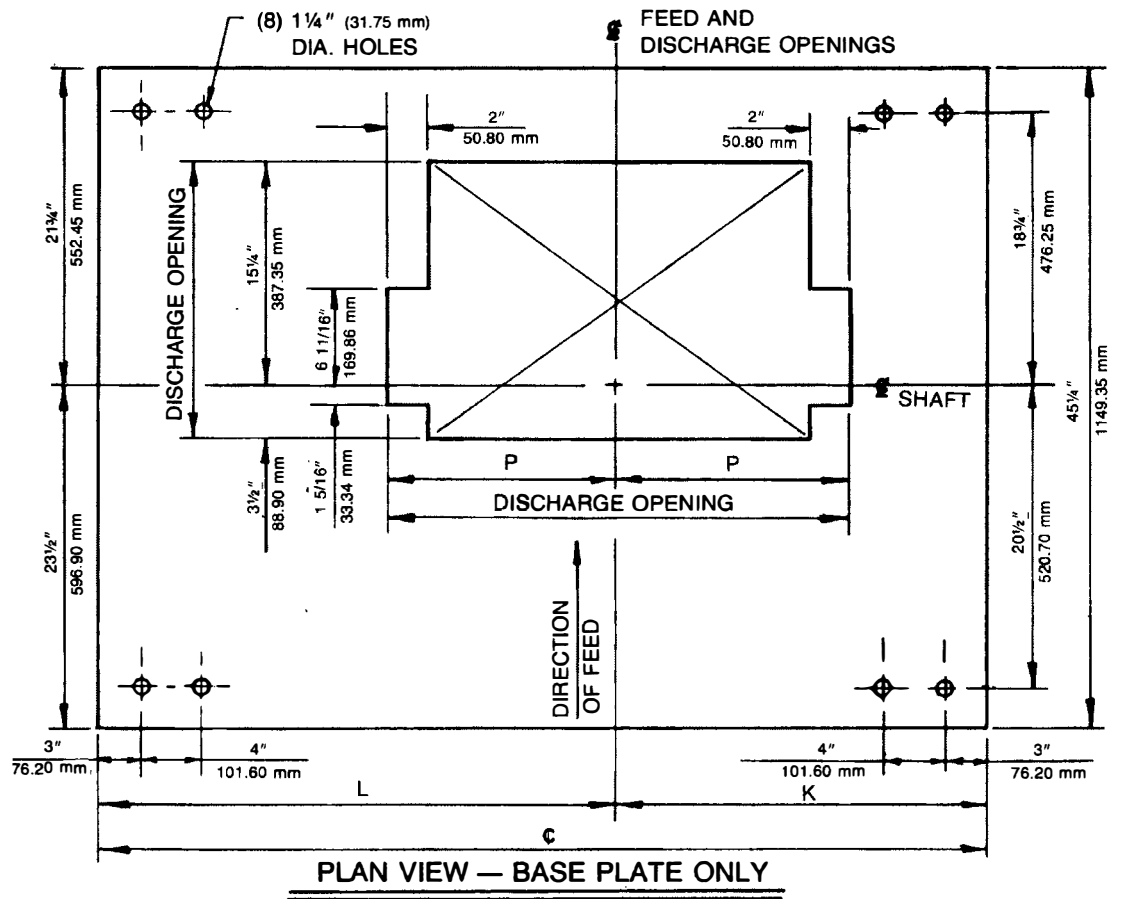
Jacksonville Blow Pipe Division

2017 Thelma St. • P.O. Box 3687
JACKSONVILLE, FLORIDA U.S.A. 32206
904-355-5671 • FAX (904) 355-0401

Since 1925 - Solving Difficult Problems for Industry

GENERAL NOTES

- 1 Hog must be mounted with base horizontal. Do not mount hog on an angle to facilitate feeding.
2. Use a reinforced concrete foundation 12" (304.80mm) minimum thickness, to extend 6" (152.40 mm) beyond hog base on all sides. In cold climates the depth will be determined by the frost line.
3. Allow 36" (914.40 mm) clearance all around machine for maintenance.
4. During normal operation there is very little impact or vibration load transmitted to the base of the machine. However, if Hog is to be mounted on steel columns, the supporting structure should be designed for two and one half times the static load for safety.
5. All dimensions shown are standard and may vary with special installations.
6. Hog can be built opposite hand from that shown. Flywheel can be mounted either end if requested before assembly is started.
- 7 Conversion Dim. in mm shown for Ref. Only. When metric Dim. are specified, shaft ends and keyseats will be metric standard.



Montgomery Industries International reserves the right to change its designs and any dimensions or materials specified herein without prior notice. Dimensions are for reference only. Use certified setting plan for construction. Install only with factory approval and follow all safety requirements.

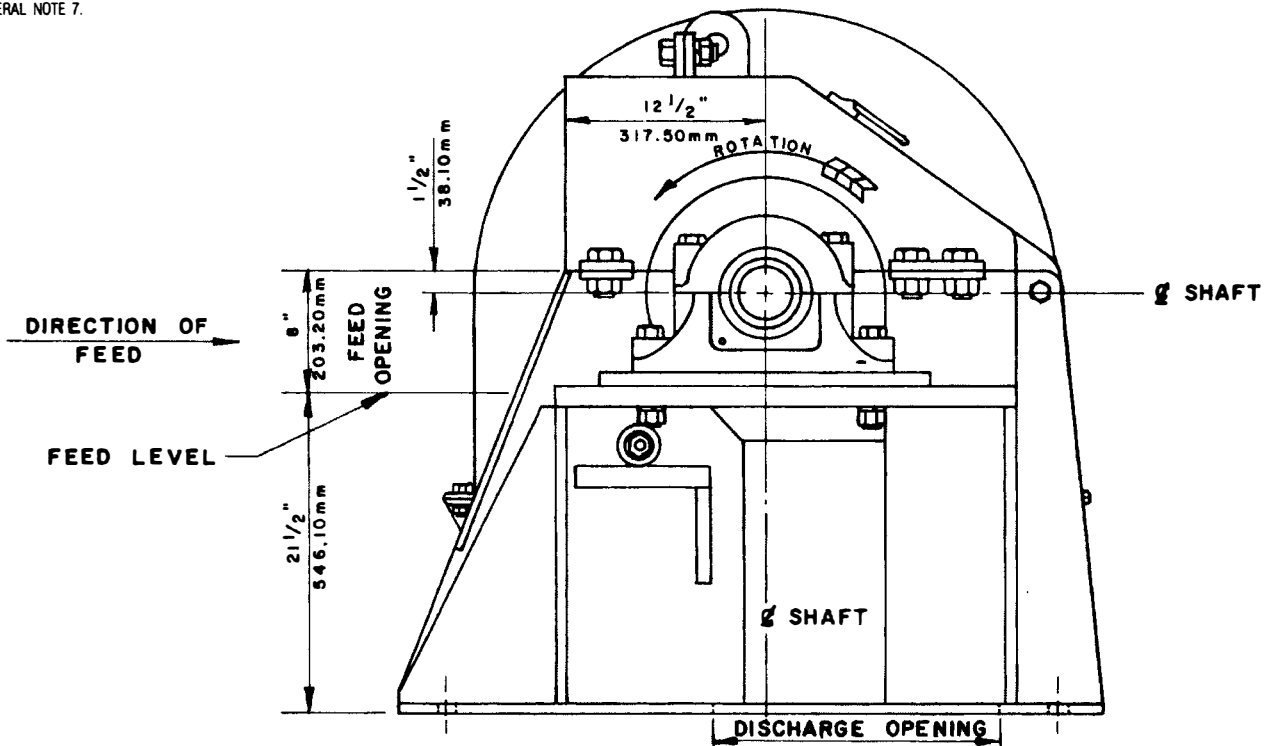
DIMENSIONS IN INCHES

MODEL	BEARING SIZE	STANDARD FLYWHEEL	C	K	L	P	U	U ₁ *	V	KEYWAY*	WT. — LB.	WR ² #FT. ²
10 HD-HZF	3 15/16	4 x 30	43 3/4	16 7/8	26 7/8	7 1/8	3 15/16	3 7/16	5 1/8	7/8 x 7/16 x 7 7/16	5,000	752
10 HD-HZF	4 7/16	4 x 30	43 3/4	16 7/8	26 7/8	7 1/8	4 7/16	3 15/16	5 1/8	1 x 1/2 x 7 1/2	5,100	752
18 HD-HZF	3 15/16	4 x 30	51 3/4	20 7/8	30 7/8	11 1/8	3 15/16	3 7/16	9 1/8	7/8 x 7/16 x 7 7/16	5,800	814
18 HD-HZF	4 7/16	4 x 30	51 3/4	20 7/8	30 7/8	11 1/8	4 7/16	3 15/16	9 1/8	1 x 1/2 x 7 1/2	5,900	814
18 HD-HZF	5 7/16	6 x 30	53 3/4	21 7/8	31 7/8	11 1/8	5 7/16	4 7/16	9 1/8	1 x 1/2 x 7 1/2	6,550	1,088
26 HD-HZF	3 15/16	4 x 30	59 3/4	24 7/8	34 7/8	15 1/8	3 15/16	3 7/16	13 1/8	7/8 x 7/16 x 7 7/16	6,600	876
26 HD-HZF	4 7/16	4 x 30	59 3/4	24 7/8	34 7/8	15 1/8	4 7/16	3 15/16	13 1/8	1 x 1/2 x 7 1/2	6,700	876
26 HD-HZF	5 7/16	6 x 30	61 3/4	25 7/8	35 7/8	15 1/8	5 7/16	4 7/16	13 1/8	1 x 1/2 x 7 1/2	7,350	1,150
34 HD-HZF	3 15/16	4 x 30	67 3/4	28 7/8	38 7/8	19 1/8	3 15/16	3 7/16	17 1/8	7/8 x 7/16 x 7 7/16	7,400	938
34 HD-HZF	4 7/16	6 x 30	67 3/4	28 7/8	38 7/8	19 1/8	4 7/16	3 15/16	17 1/8	1 x 1/2 x 7 1/2	7,950	1,212
34 HD-HZF	5 7/16	6 x 30	69 3/4	29 7/8	39 7/8	19 1/8	5 7/16	4 7/16	17 1/8	1 x 1/2 x 7 1/2	8,150	1,212
42 HD-HZF	3 15/16	4 x 30	75 3/4	32 7/8	42 7/8	23 1/8	3 15/16	3 7/16	21 1/8	7/8 x 7/16 x 7 7/16	8,200	1,000
42 HD-HZF	4 7/16	6 x 30	75 3/4	32 7/8	42 7/8	23 1/8	4 7/16	3 15/16	21 1/8	1 x 1/2 x 7 1/2	8,750	1,274
42 HD-HZF	5 7/16	6 x 30	77 3/4	33 7/8	43 7/8	23 1/8	5 7/16	4 7/16	21 1/8	1 x 1/2 x 7 1/2	8,950	1,274
50 HD-HZF	3 15/16	4 x 30	83 3/4	36 7/8	46 7/8	27 1/8	3 15/16	3 7/16	25 1/8	7/8 x 7/16 x 7 7/16	9,000	1,062
50 HD-HZF	4 7/16	6 x 30	83 3/4	36 7/8	46 7/8	27 1/8	4 7/16	3 15/16	25 1/8	1 x 1/2 x 7 1/2	9,550	1,336
50 HD-HZF	5 7/16	6 x 30	85 3/4	37 7/8	47 7/8	27 1/8	5 7/16	4 7/16	25 1/8	1 x 1/2 x 7 1/2	9,750	1,336
58 HD-HZF	3 15/16	4 x 30	91 3/4	40 7/8	50 7/8	31 1/8	3 15/16	3 7/16	29 1/8	7/8 x 7/16 x 7 7/16	9,800	1,123
58 HD-HZF	4 7/16	6 x 30	91 3/4	40 7/8	50 7/8	31 1/8	4 7/16	3 15/16	29 1/8	1 x 1/2 x 7 1/2	10,350	1,397
58 HD-HZF	5 7/16	6 x 30	93 3/4	41 7/8	51 7/8	31 1/8	5 7/16	4 7/16	29 1/8	1 x 1/2 x 7 1/2	10,550	1,397

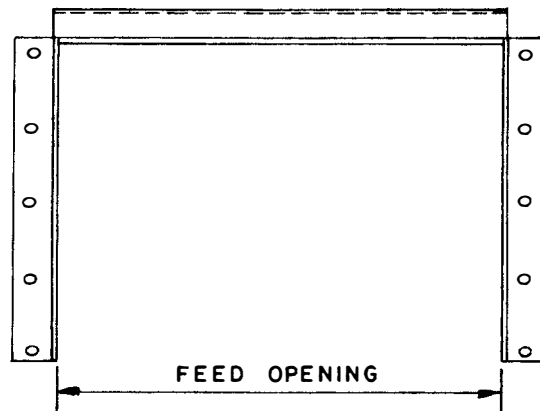
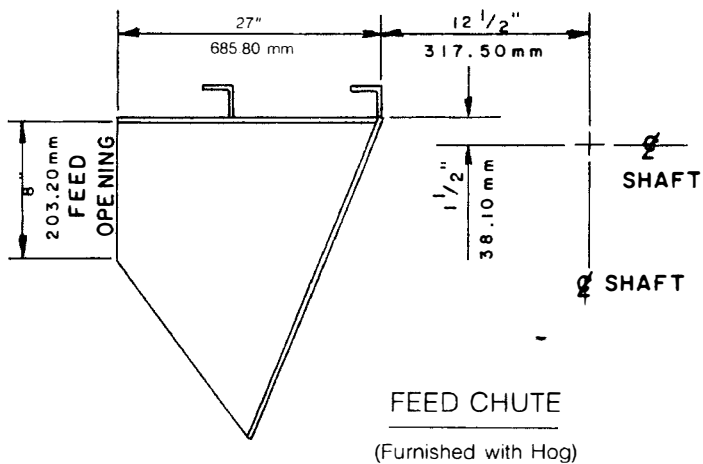
CONVERSION DIMENSIONS IN MILLIMETERS*

MODEL	BEARING SIZE	STANDARD FLYWHEEL	C	K	L	P	U	U ₁ *	V	KEYWAY*	WT. — Kg	Kg — m ²
10 HD-HZF	100.01	101.60 x 762.0	1111.25	428.625	682.625	180.975	100.01	87.31	130.175	22.22 x 11.11 x 188.91	2267.96	31.68
10 HD-HZF	112.71	101.60 x 762.0	1111.25	428.625	682.625	180.975	112.71	100.01	130.175	25.40 x 12.70 x 190.50	2313.32	31.68
18 HD-HZF	100.01	101.60 x 762.0	1314.45	530.225	784.225	282.575	100.01	87.31	231.775	22.22 x 11.11 x 188.91	2630.83	34.29
18 HD-HZF	112.71	101.60 x 762.0	1314.45	530.225	784.225	282.575	112.71	100.01	231.775	25.40 x 12.70 x 190.50	2676.19	34.29
18 HD-HZF	138.11	152.40 x 762.0	1365.25	555.625	809.625	282.575	138.11	112.71	231.775	25.40 x 12.70 x 190.50	2971.03	45.84
26 HD-HZF	100.01	101.60 x 762.0	1517.65	631.825	885.825	384.175	100.01	87.31	333.375	22.22 x 11.11 x 188.91	2993.71	36.91
26 HD-HZF	112.71	101.60 x 762.0	1517.65	631.825	885.825	384.175	112.71	100.01	333.375	25.40 x 12.70 x 190.50	3039.07	36.91
26 HD-HZF	138.11	152.40 x 762.0	1568.45	657.225	911.225	384.175	138.11	112.71	333.375	25.40 x 12.70 x 190.50	3333.90	48.45
34 HD-HZF	100.01	101.60 x 762.0	1720.85	733.425	987.425	485.775	100.01	87.31	434.975	22.22 x 11.11 x 188.91	3356.58	39.52
34 HD-HZF	112.71	152.40 x 762.0	1720.85	733.425	987.425	485.775	112.71	100.01	434.975	25.40 x 12.70 x 190.50	3606.06	51.06
34 HD-HZF	138.11	152.40 x 762.0	1771.65	758.825	1012.825	485.775	138.11	112.71	434.975	25.40 x 12.70 x 190.50	3696.77	51.06
42 HD-HZF	100.01	101.60 x 762.0	1924.05	835.025	1089.025	587.375	100.01	87.31	536.575	22.22 x 11.11 x 188.91	3719.45	42.13
42 HD-HZF	112.71	152.40 x 762.0	1924.05	835.025	1089.025	587.375	112.71	100.01	536.575	25.40 x 12.70 x 190.50	3968.93	53.67
42 HD-HZF	138.11	152.40 x 762.0	1974.85	860.425	1114.425	587.375	138.11	112.71	536.575	25.40 x 12.70 x 190.50	4059.65	53.67
50 HD-HZF	100.01	101.60 x 762.0	2127.25	936.625	1190.625	688.975	100.01	87.31	638.175	22.22 x 11.11 x 188.91	4082.33	44.74
50 HD-HZF	112.71	152.40 x 762.0	2127.25	936.625	1190.625	688.975	112.71	100.01	638.175	25.40 x 12.70 x 190.50	4331.80	56.29
50 HD-HZF	138.11	152.40 x 762.0	2178.05	962.025	1216.025	688.975	138.11	112.71	638.175	25.40 x 12.70 x 190.50	4422.52	56.29
58 HD-HZF	100.01	101.60 x 762.0	2330.45	1038.225	1292.225	790.575	100.01	87.31	739.775	22.22 x 11.11 x 188.91	4445.20	47.31
58 HD-HZF	112.71	152.40 x 762.0	2330.45	1038.225	1292.225	790.575	112.71	100.01	739.775	25.40 x 12.70 x 190.50	4694.68	58.86
58 HD-HZF	138.11	152.40 x 762.0	2381.25	1063.625	1317.625	790.575	138.11	112.71	739.775	25.40 x 12.70 x 190.50	4785.40	58.86

* SEE GENERAL NOTE 7.



END ELEVATION, OPPOSITE FLYWHEEL



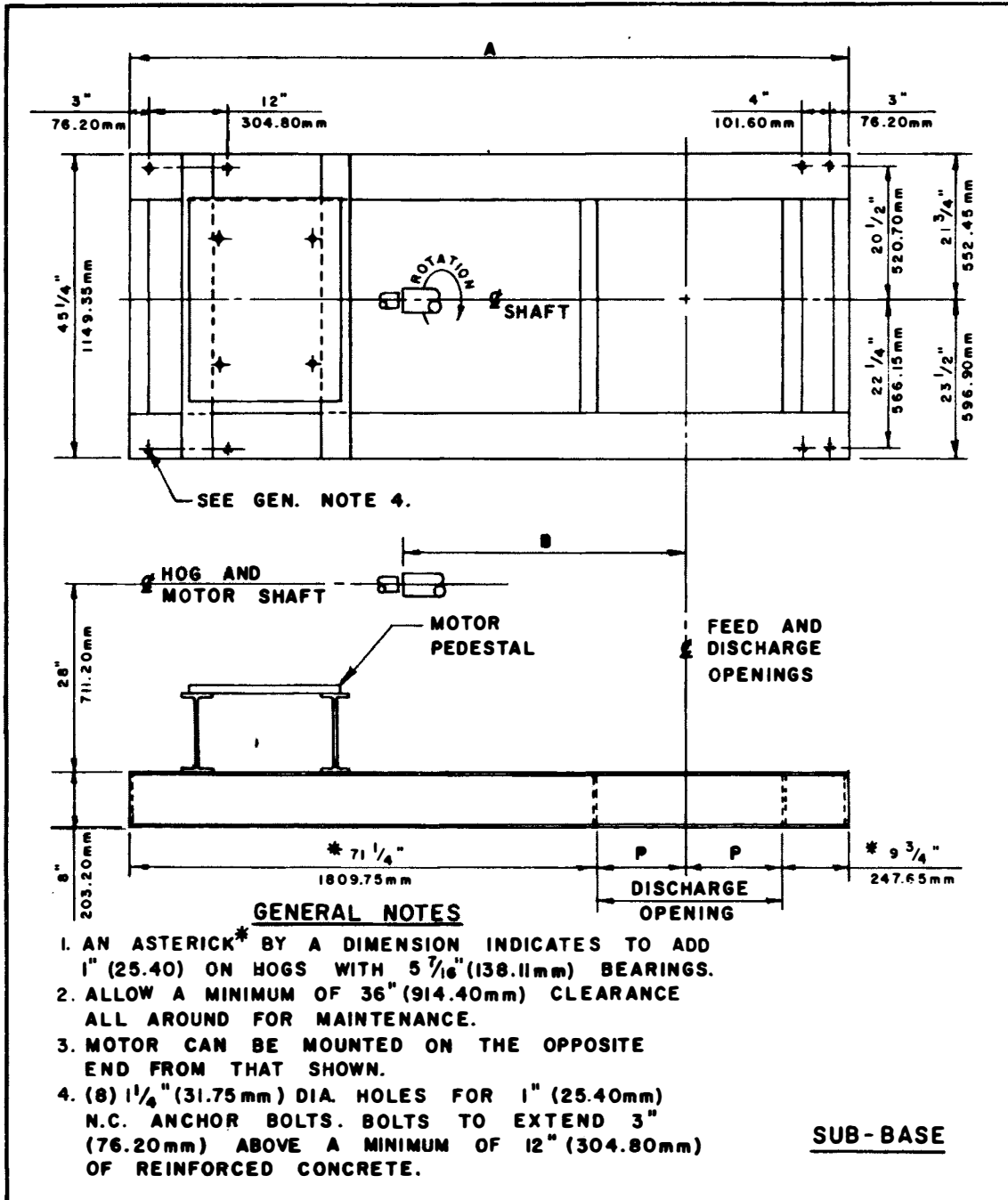
DIMENSIONS IN INCHES

MODEL	EXPORT CRATING (APPROX.)	(APPROX.) EXPORT WEIGHT POUNDS GROSS
10 HD-HZF	53 1/4" W. x 67 3/4" L. x 51 1/2" H. = 107 FT. ³	5,521
18 HD-HZF	53 1/4" W. x 75 3/4" L. x 51 1/2" H. = 120 FT. ³	6,347
26 HD-HZF	53 1/4" W. x 83 3/4" L. x 51 1/2" H. = 132 FT. ³	7,173
34 HD-HZF	53 1/4" W. x 91 3/4" L. x 51 1/2" H. = 145 FT. ³	8,449
42 HD-HZF	53 1/4" W. x 99 3/4" L. x 51 1/2" H. = 158 FT. ³	9,275
50 HD-HZF	53 1/4" W. x 107 3/4" L. x 51 1/2" H. = 171 FT. ³	10,101
58 HD-HZF	53 1/4" W. x 115 3/4" L. x 51 1/2" H. = 183 FT. ³	10,927

DIMENSIONS IN MILLIMETERS

MODEL	EXPORT CRATING (APPROX.)	(APPROX.) EXPORT WEIGHT KILOGRAMS GROSS
10 HD-HZF	1352.55mm W. x 1720.85 mm L. x 1308.10mm H. = 3.03 M. ³	2504.28
18 HD-HZF	1352.55mm W. x 1924.05 mm L. x 1308.10mm H. = 3.40 M. ³	2878.95
26 HD-HZF	1352.55mm W. x 2127.25 mm L. x 1308.10mm H. = 3.74 M. ³	3253.62
34 HD-HZF	1352.55mm W. x 2330.45 mm L. x 1308.10mm H. = 4.11 M. ³	3832.40
42 HD-HZF	1352.55mm W. x 2533.65 mm L. x 1308.10mm H. = 4.47 M. ³	4207.07
50 HD-HZF	1352.55mm W. x 2736.85 mm L. x 1308.10mm H. = 4.84 M. ³	4581.73
58 HD-HZF	1352.55mm W. x 2940.05 mm L. x 1308.10mm H. = 5.18 M. ³	4956.40

NOTES:



GENERAL NOTES

1. AN ASTERICK* BY A DIMENSION INDICATES TO ADD 1" (25.40) ON HOGS WITH 5 7/16" (138.11mm) BEARINGS.
2. ALLOW A MINIMUM OF 36" (914.40mm) CLEARANCE ALL AROUND FOR MAINTENANCE.
3. MOTOR CAN BE MOUNTED ON THE OPPOSITE END FROM THAT SHOWN.
4. (8) 1 1/4" (31.75mm) DIA. HOLES FOR 1" (25.40mm) N.C. ANCHOR BOLTS. BOLTS TO EXTEND 3" (76.20mm) ABOVE A MINIMUM OF 12" (304.80mm) OF REINFORCED CONCRETE.

SUB-BASE

DIMENSIONS IN INCHES

MODEL	BEARING SIZE	A	B	P	WT.-LB.
10HD-HZF	3 15/16	95 1/4	34 7/8	7 1/8	1160
"	4 7/16	"	"	"	"
18HD-HZF	3 15/16	103 1/4	38 7/8	11 1/8	1213
"	4 7/16	"	"	"	"
"	5 7/16	105 1/4	39 7/8	"	"
26HD-HZF	3 15/16	111 1/4	42 7/8	15 1/8	1266
"	4 7/16	"	"	"	"
"	5 7/16	113 1/4	43 7/8	"	"
34HD-HZF	3 15/16	119 1/4	46 7/8	19 1/8	1319
"	4 7/16	"	"	"	"
"	5 7/16	121 1/4	47 7/8	"	"
42HD-HZF	3 15/16	127 1/4	50 7/8	23 1/8	1372
"	4 7/16	"	"	"	"
"	5 7/16	129 1/4	51 7/8	"	"
50HD-HZF	3 15/16	135 1/4	54 7/8	27 1/8	1425
"	4 7/16	"	"	"	"
"	5 7/16	137 1/4	55 7/8	"	"
58HD-HZF	3 15/16	143 1/4	58 7/8	31 1/8	1478
"	4 7/16	"	"	"	"
"	5 7/16	145 1/4	59 7/8	"	"

DIMENSIONS IN MILLIMETERS

MODEL	BEARING SIZE	A	B	P	WT.-Kg
10HD-HZF	100.01	2419.35	885.825	180.975	526.17
"	112.71	"	"	"	"
18HD-HZF	100.01	2622.55	987.425	282.575	550.21
"	112.71	"	"	"	"
"	138.11	2673.35	1012.825	"	"
26HD-HZF	100.01	2825.75	1089.025	384.175	574.25
"	112.71	"	"	"	"
"	138.11	2876.55	1114.425	"	"
34HD-HZF	100.01	3028.95	1190.625	485.775	598.29
"	112.71	"	"	"	"
"	138.11	3079.75	1216.025	"	"
42HD-HZF	100.01	3232.15	1292.225	587.375	622.33
"	112.71	"	"	"	"
"	138.11	3282.95	1317.625	"	"
50HD-HZF	100.01	3435.35	1393.825	688.975	646.37
"	112.71	"	"	"	"
"	138.11	3486.15	1419.225	"	"
58HD-HZF	100.01	3638.55	1495.425	790.575	670.41
"	112.71	"	"	"	"
"	138.11	3689.35	1520.825	"	"

DIMENSIONS IN INCHES

DIMENSIONS IN MILLIMETERS

DIM.	10HD-HZF	18HD-HZF	26HD-HZF	34HD-HZF	42HD-HZF	50HD-HZF	58HD-HZF	DIM.	10HD-HZF	18HD-HZF	26HD-HZF	34HD-HZF	42HD-HZF	50HD-HZF	58HD-HZF
A	9 5/8"	9 5/8"	12 9/16"	12 9/16"	17 3/4"	17 3/4"	17 3/4"	A	244.47	244.47	319.09	319.09	450.85	450.85	450.85
B	8"	12"	18"	24"	36"	42"	50"	B	203.20	304.80	457.20	609.60	914.40	1066.80	1270.00
C	8"	18"	24"	30"	42"	48"	56"	C	203.20	457.20	609.60	762.00	1066.80	1219.20	1422.40
D	10 1/2"	20 1/2"	26 1/2"	32 1/2"	46 1/2"	52 1/2"	60 1/2"	D	266.70	520.70	673.10	825.50	1181.10	1333.50	1536.70
E	8 1/4"	16 1/4"	24 3/8"	30 3/8"	42 1/2"	48 1/2"	56 1/2"	E	209.55	412.75	619.12	771.52	1079.50	1231.90	1435.10
F	8"	16"	24"	30"	40"	48"	56"	F	203.20	406.40	609.60	762.00	1016.00	1219.20	1422.40
WT-LB	450	500	650	900	1250	1800	1920	WT-Kg	204.12	266.80	385.55	408.23	566.99	816.47	870.90

GENERAL NOTES

1. NOT TO BE USED FOR INSTALLATION.
2. NOT APPLICABLE TO INTEGRAL FAN MODELS.
3. ATTACH HOG BASE PLATE TO STRUCTURAL STEEL SUB-BASE OR CONCRETE AT CUSTOMERS DISCRETION.
4. CONCRETE FOUNDATION SPECIFICATIONS SUPPLIED BY CERTIFIED DRAWING ONLY.

