

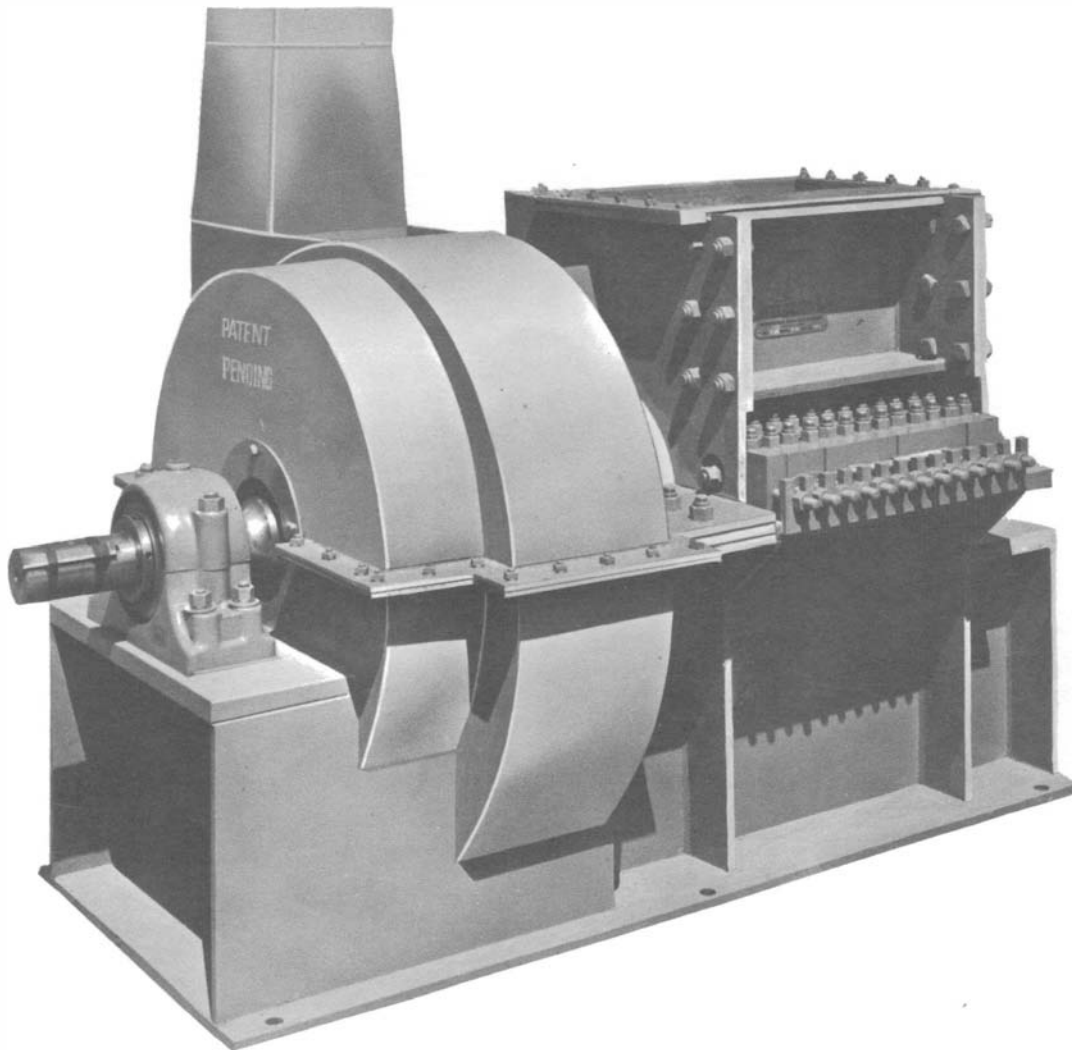
# MONTGOMERY

BLO — HOG

FS and HD Models

**DIMENSION SHEET**

DS 24-4-90



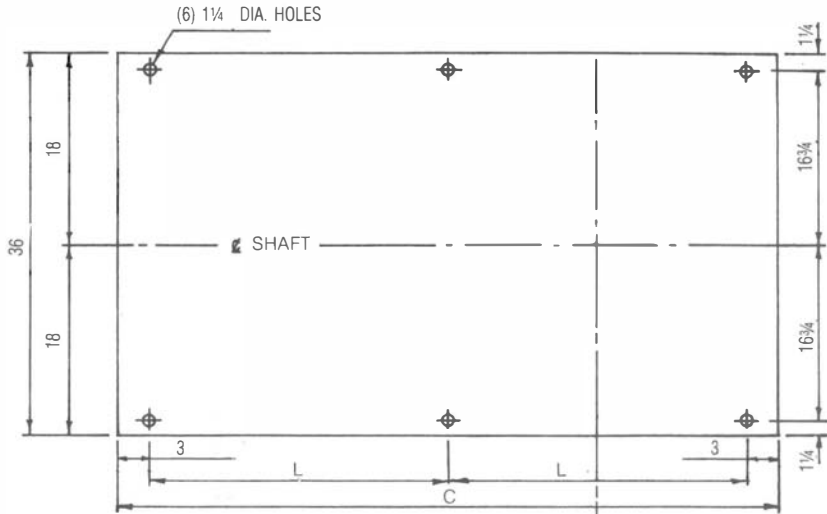
**MONTGOMERY INDUSTRIES INTERNATIONAL, INC.**

P.O. Box 3687 • 2017 Thelma St.  
JACKSONVILLE, FLORIDA U.S.A. 32206  
Phone (904) 355-5671 • FAX (904) 355-0401

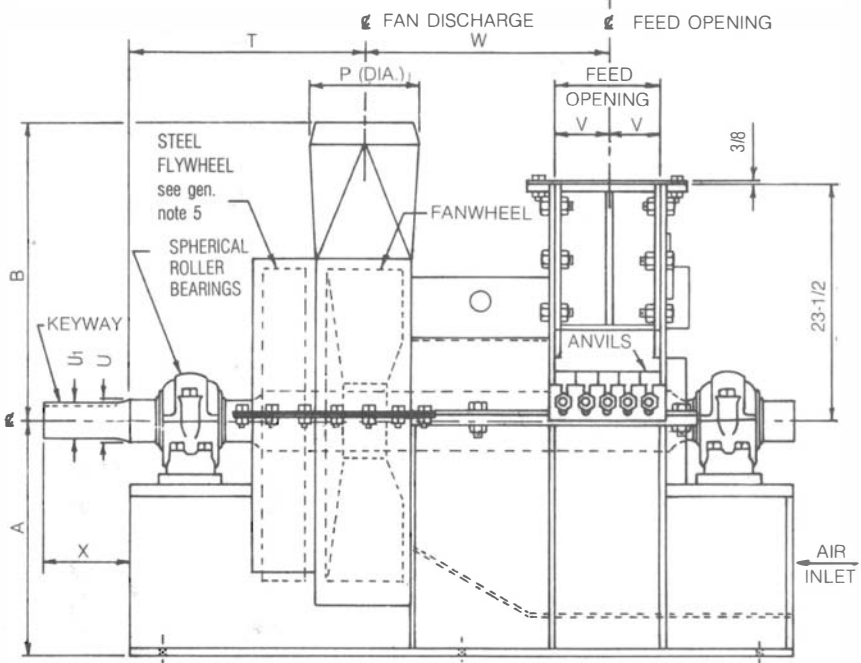
*Since 1925 - Solving Difficult Problems for Industry*

# GENERAL NOTES

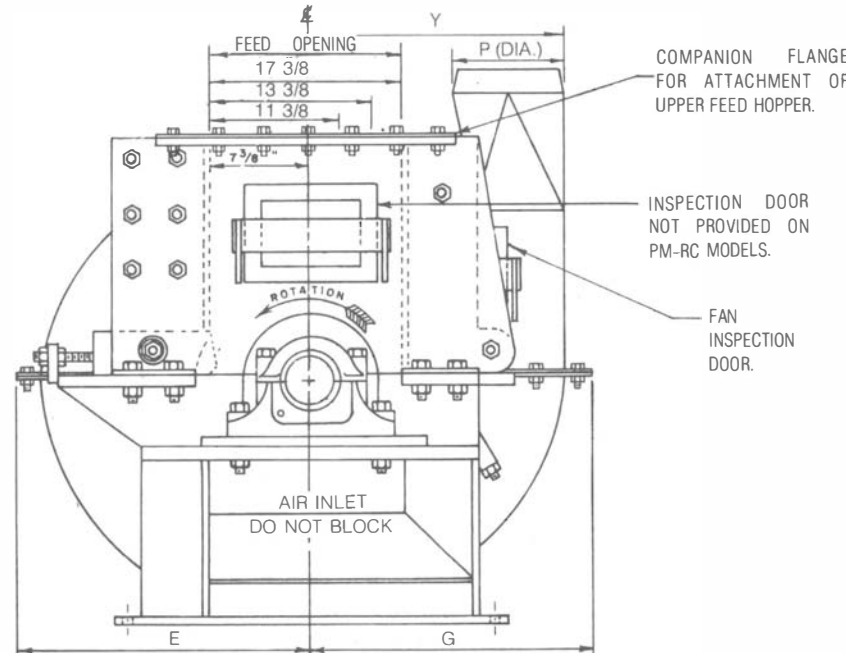
1. Do not feed against rotation. Feed may be any of other three directions.
2. Hog must be mounted with base horizontal. Do not mount Hog on an angle to facilitate feeding.
3. A reinforced concrete foundation should extend at least 6" beyond Hog on all sides. The minimum thickness is 12". Local codes and frost line will determine actual thickness required.
4. All dimensions shown are standard and may vary with special installations.
5. Hog can be built opposite hand from that shown. Flywheel and Fanwheel can be mounted either end if requested before manufacturing is started.
6. Upper hopper should be designed so that there is a minimum of 60" from top of feed conveyor belt to companion flange on upper housing. Allow 36" clearance all around machine for maintenance.



PLAN VIEW — BASE PLATE ONLY



FRONT ELEVATION



ELEVATION — END OPP FLYWHEEL

NOTE: DIMENSIONS IN INCHES

## DIMENSIONS IN INCHES

MODEL	BEARING SIZE	FAN SIZE	STANDARD FLYWHEEL	A	B	C	E	G	L	P	T	U	U1	V	W	X	Y	WEIGHT POUNDS	WR <sup>2</sup> #FT <sup>2</sup>
10FS30	2-15/16	30	NONE	23-1/2	34-3/8	50	20-7/8	24-7/8	22	8-13	11-7/16	2-15/16	2-15/16	5-1/8	26-5/16	7	22-3/8	4,000	402
10HD40	3-15/16	40	4x36	28-3/4	39-3/4	67-3/8	26-7/8	32-1/8	30-11/16	13-17	25-13/16	3-15/16	3-7/16	5-1/8	24-11/16	7	29-5/8	7,000	1,924
10HD40	4-7/16	40	4x36	28-3/4	39-3/4	67-3/8	26-7/8	32-1/8	30-11/16	13-17	25-13/16	4-7/16	3-15/16	5-1/8	24-11/16	7	29-5/8	7,100	1,924
18FS30	2-15/16	30	NONE	23-1/2	34-3/8	58	20-7/8	24-7/8	26	8-13	11-7/16	2-15/16	2-15/16	9-1/8	30-5/16	7	22-3/8	5,500	464
18HD40	3-15/16	40	4x36	28-3/4	39-3/4	75-3/8	26-7/8	32-1/8	34-11/16	13-17	25-13/16	3-15/16	3-7/16	9-1/8	28-11/16	8	29-5/8	7,800	1,986
18HD40	4-7/16	40	4x36	28-3/4	39-3/4	75-3/8	26-7/8	32-1/8	34-11/16	13-17	25-13/16	4-7/16	3-15/16	9-1/8	28-11/16	8	29-5/8	7,900	1,986
18HD50	3-15/16	50	4x36	35-7/8	45-3/8	84-7/8	33-1/4	40	39-7/16	18-21	27-9/16	3-15/16	3-7/16	9-1/8	36-7/16	8	37-1/2	8,300	2,479
18HD50	4-7/16	50	6x36	35-7/8	45-3/8	84-7/8	33-1/4	40	39-7/16	18-21	27-9/16	4-7/16	3-15/16	9-1/8	36-7/16	8	37-1/2	8,850	3,128
26FS30	3-15/16	30	NONE	23-1/2	34-3/8	70	20-7/8	24-7/8	32	8-13	13-7/16	3-15/16	3-7/16	13-1/8	34-5/16	8	22-3/8	7,000	526
26HD40	3-15/16	40	4x36	28-3/4	39-3/4	83-3/8	26-7/8	32-1/8	38-11/16	13-17	25-13/16	3-15/16	3-7/16	13-1/8	32-11/16	8	29-5/8	8,600	2,048
26HD40	4-7/16	40	4x36	28-3/4	39-3/4	83-3/8	26-7/8	32-1/8	38-11/16	13-17	25-13/16	4-7/16	3-15/16	13-1/8	32-11/16	8	29-5/8	8,700	2,048
26HD50	3-15/16	50	4x36	35-7/8	45-3/8	92-7/8	33-1/4	40	43-7/16	18-21	27-9/16	3-15/16	3-7/16	13-1/8	40-7/16	8	37-1/2	9,100	2,541
26HD50	4-7/16	50	6x36	35-7/8	45-3/8	92-7/8	33-1/4	40	43-7/16	18-21	27-9/16	4-7/16	3-15/16	13-1/8	40-7/16	10	37-1/2	9,650	3,190
34HD40	3-15/16	40	4x36	28-3/4	39-3/4	91-3/8	26-7/8	32-1/8	42-11/16	13-17	25-13/16	3-15/16	3-7/16	17-1/8	36-11/16	10	29-5/8	9,400	2,110
34HD40	4-7/16	40	4x36	28-3/4	39-3/4	91-3/8	26-7/8	32-1/8	42-11/16	13-17	25-13/16	4-7/16	3-15/16	17-1/8	36-11/16	10	29-5/8	9,500	2,110
34HD50	3-15/16	50	4x36	35-7/8	45-3/8	100-7/8	33-1/4	40	47-7/16	18-21	27-9/16	3-15/16	3-7/16	17-1/8	44-7/16	10	37-1/2	9,900	2,603
34HD50	4-7/16	50	6x36	35-7/8	45-3/8	100-7/8	33-1/4	40	47-7/16	18-21	27-9/16	4-7/16	3-15/16	17-1/8	44-7/16	10	37-1/2	10,450	3,252
34HD60	5-7/16	60	6x36	41-3/4	50-1/4	105-1/2	38-5/8	46-3/8	49-3/4	22-25	29-7/8	5-7/16	4-15/16	17-1/8	45-3/4	10	43-7/8	11,150	4,902
42HD40	3-15/16	40	4x36	28-3/4	39-3/4	99-3/8	26-7/8	32-1/8	46-11/16	13-17	25-13/16	3-15/16	3-7/16	21-1/8	40-11/16	10	29-5/8	10,200	2,172
42HD40	4-7/16	40	4x36	28-3/4	39-3/4	99-3/8	26-7/8	32-1/8	46-11/16	13-17	25-13/16	4-7/16	3-15/16	21-1/8	40-11/16	10	29-5/8	10,300	2,172
42HD50	3-15/16	50	4x36	35-7/8	45-3/8	108-7/8	33-1/4	40	51-7/16	18-21	27-9/16	3-15/16	3-7/16	21-1/8	48-7/16	10	37-1/2	10,700	2,603
42HD50	4-7/16	50	6x36	35-7/8	45-3/8	108-7/8	33-1/4	40	51-7/16	18-21	27-9/16	4-7/16	3-15/16	21-1/8	48-7/16	10	37-1/2	11,250	3,314
42HD60	5-7/16	60	6x36	41-3/4	50-1/4	113-1/2	38-5/8	46-3/8	53-3/4	22-25	29-7/8	5-7/16	4-15/16	21-1/8	49-3/4	10	43-7/8	12,750	4,964

NOTE: ON RC "RECHIPPER" MODELS DIMENSION V IS 3/4" LESS THAN SHOWN

**THE SUN NEVER SETS  
ON  
MONTGOMERY HOGS**

Montgomery Industries International reserves the right to change its designs and any dimensions or materials specified herein are subject to change without prior notice. Dimensions are for reference only. Use certified setting plan for construction. Install only with factory approval and follow all safety requirements.



### INSTALLATIONS AROUND THE WORLD

- ARGENTINA
- AUSTRALIA
- BAHAMAS
- BANGLADESH
- BELGIUM
- BRAZIL
- CANADA
- CEYLON
- CHILE
- DUTCH GUIANA
- ECUADOR
- ENGLAND
- FORMOSA
- FRANCE
- GHANA
- HONDURAS
- HONG KONG
- INDIA
- JAPAN
- LIBERIA
- MALAYSIA
- MEXICO
- NEW ZEALAND
- PHILIPPINE ISLANDS
- POLAND
- PUERTO RICO
- REPUBLIC OF CHINA
- RUSSIA
- SCOTLAND
- SOUTH AFRICA
- SWAZILAND
- SWEDEN
- UNITED STATES
- VENEZUELA
- WESTERN SAMOA
- WEST INDIES