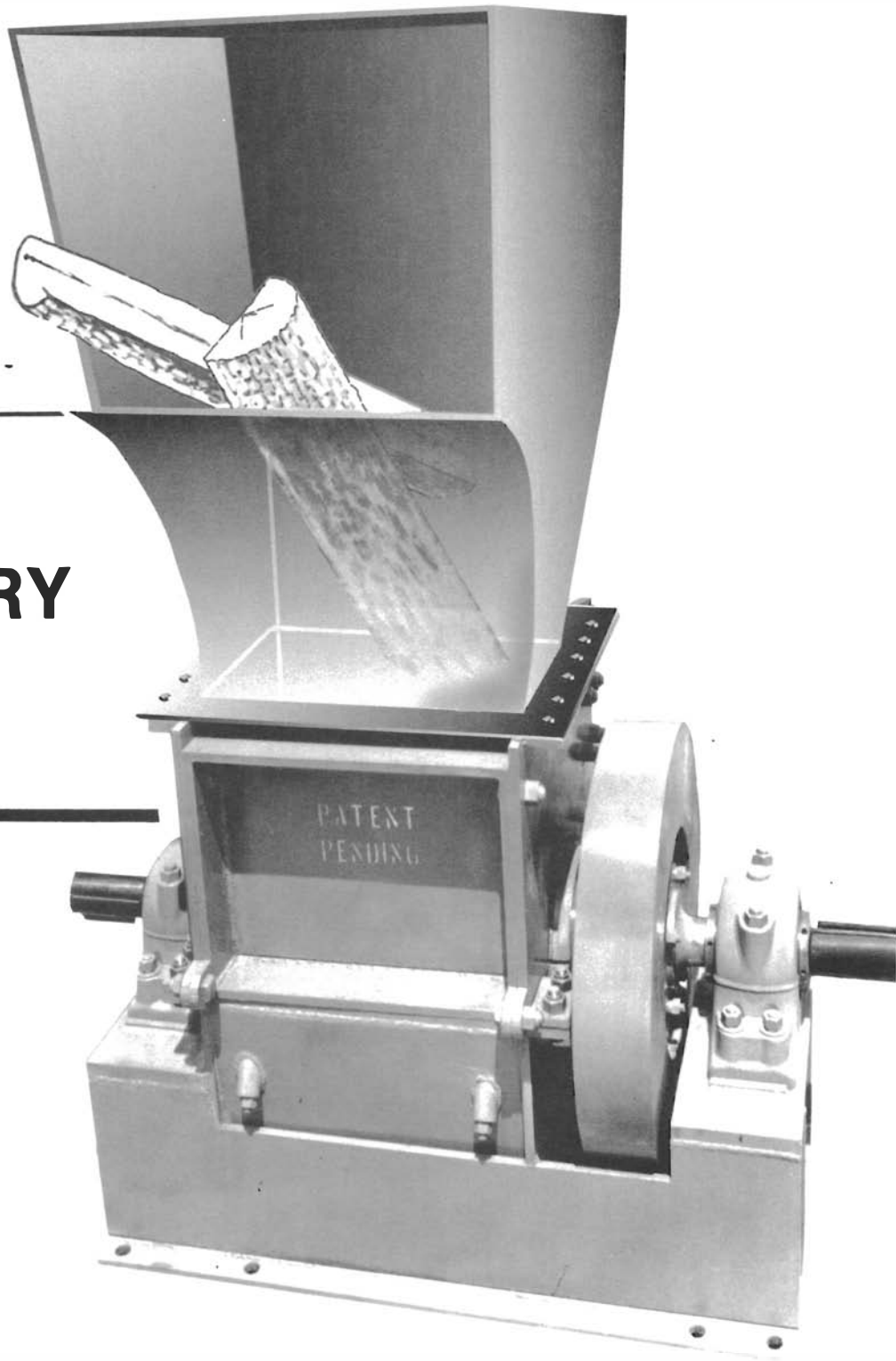


DIMENSION SHEET

DS 24-3-90



MONTGOMERY P.M. MODEL EAT-RITE HOG

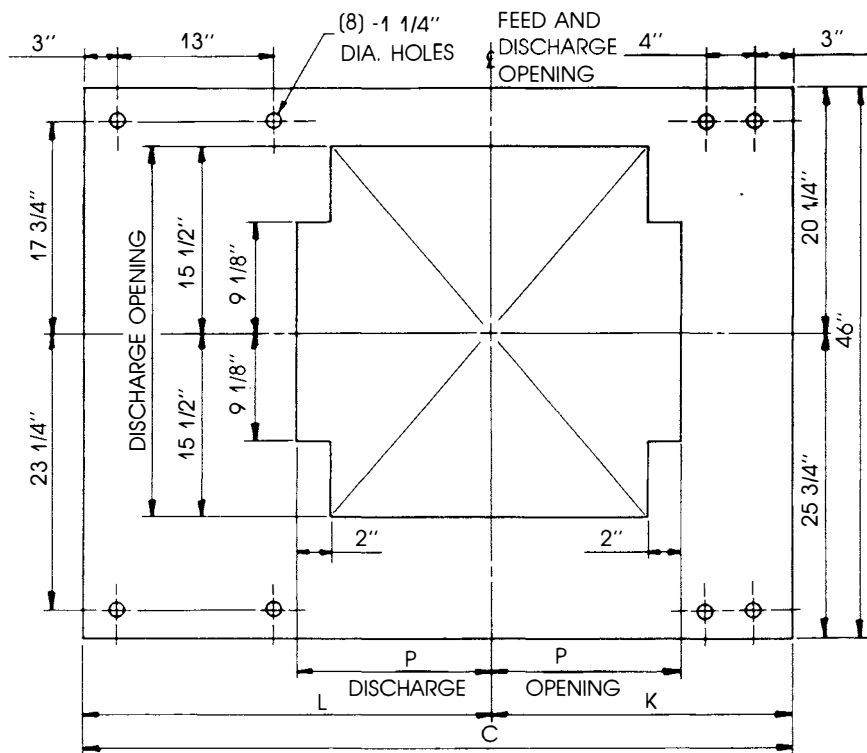
*Quality
through
Experience*



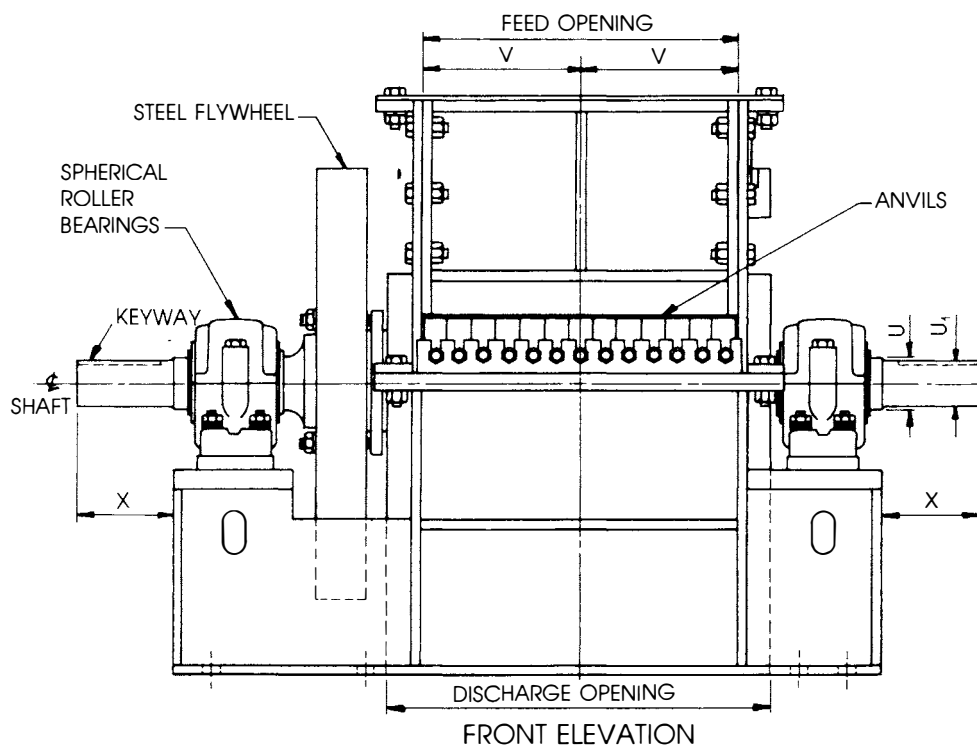
MONTGOMERY INDUSTRIES INTERNATIONAL, INC.

P.O. Box 3687 • 2017 Thelma St.
JACKSONVILLE, FLORIDA U.S.A. 32206
Phone (904) 355-5671 • FAX (904) 355-0401
www.montgomeryindustries.com

Since 1925 - Solving Difficult Problems for Industry



PLAN VIEW — BASE PLATE ONLY



GENERAL NOTES

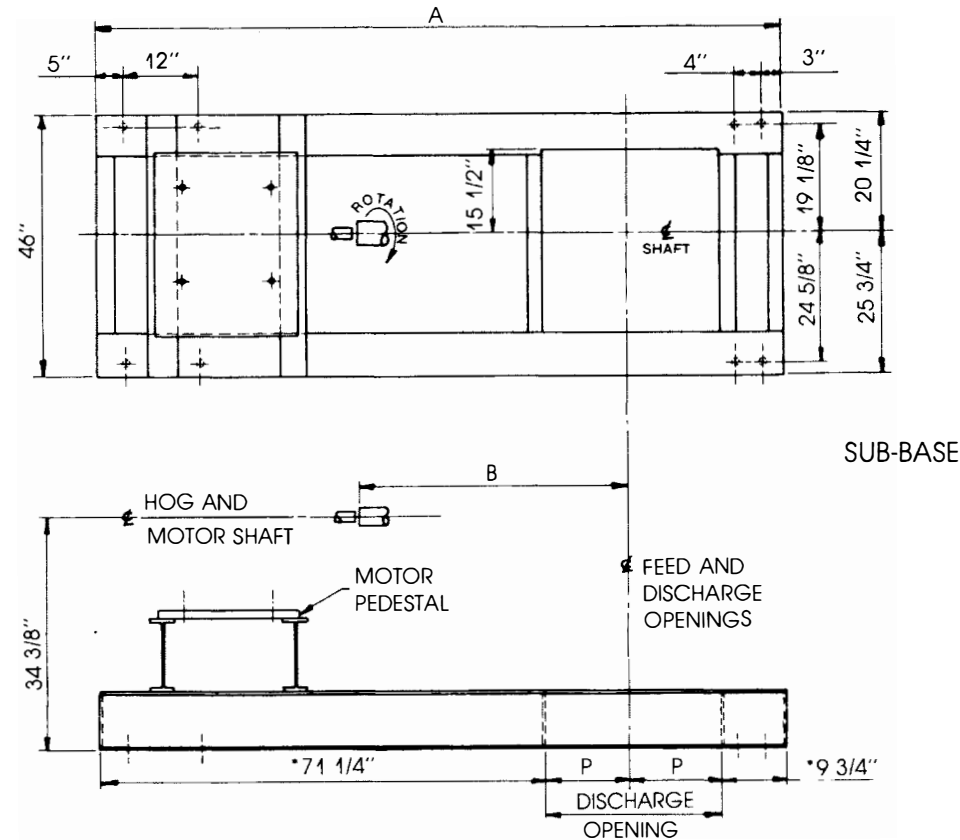
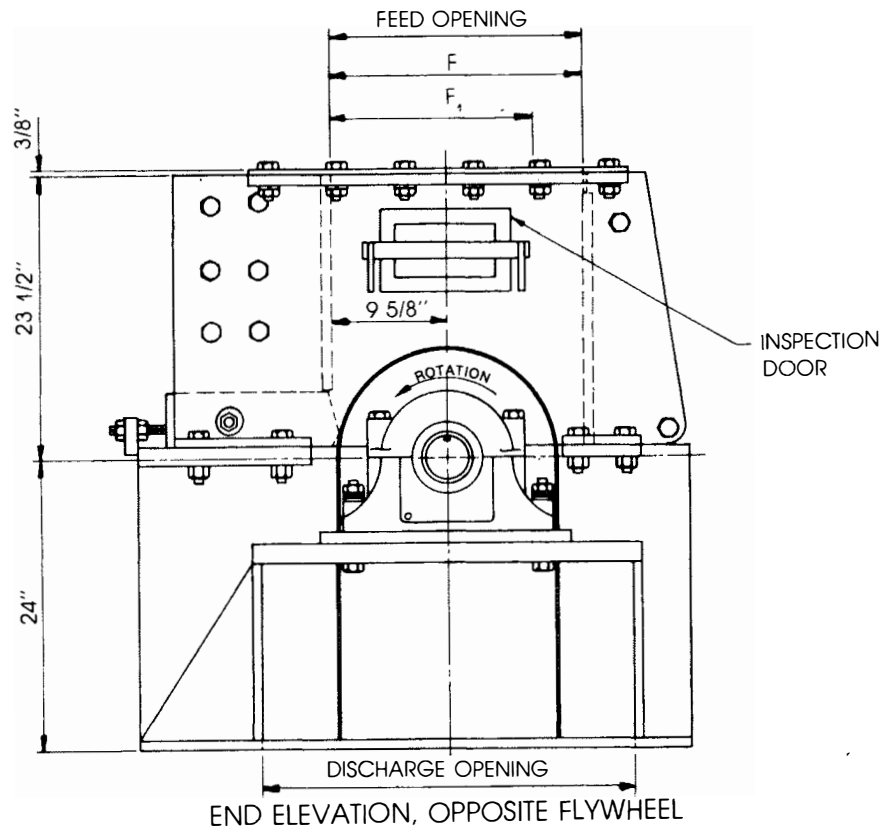
1. Do not feed against rotation - feed may be from any of other three directions.
2. Hog must be mounted with base horizontal. Do not mount Hog on an angle to facilitate feeding.
3. A reinforced concrete foundation should extend at least 6" beyond Hog on all sides. The minimum thickness is 12." Local codes and frost line will determine actual thickness required.
4. Feed opening varies with application and type of material being fed into the Hog but will be one of the following: $F = 21''$ $F_1 = 17''$
5. During normal operation there is very little impact or vibration load transmitted to the base of the machine. However, if Hog is to be mounted on steel columns, the supporting structure should be designed for two-and-one-half times the static load for safety.
6. All dimensions shown are standard and may vary with special installations.
7. Hog can be built opposite hand from that shown. Flywheel can be mounted opposite end if requested before manufacturing is started.
8. Upper hopper should be designed so that there is a minimum of 60" from top of feed conveyor belt to companion flange on upper housing. Allow 36" clearance all around machine for maintenance.
9. (8)-1 1/4" diameter holes for 1" n.c. anchor bolts. Bolts to extend 3" above a minimum of 12" of reinforced concrete.
10. Motor can be mounted on either end.

DIMENSIONS IN INCHES

MODEL	BEARING SIZE	STANDARD FLYWHEEL	C	K	L	P	U	U ¹ *	V	X	KEYWAY*	WEIGHT LBS.	WR ² # FT ²
18 PM	4 7/16	4 X 36	51 3/4	20 7/8	30 7/8	11 1/8	4 7/16	3 15/16	9 1/8	8	1 X 1/2 X 7 1/2	6900	1620
"	5 7/16	6 X 36	53 3/4	21 7/8	31 7/8	11 1/8	5 7/16	4 7/16	9 1/8	10	1 X 1/2 X 9 1/2	7600	2269
26 PM	4 7/16	4 X 36	59 3/4	24 7/8	34 7/8	15 1/8	4 7/16	3 15/16	13 1/8	8	1 X 1/2 X 7 1/2	8100	1765
"	5 7/16	6 X 36	61 3/4	25 7/8	35 7/8	15 1/8	5 7/16	4 7/16	13 1/8	10	1 X 1/2 X 9 1/2	8800	2415
34 PM	4 7/16	"	67 3/4	28 7/8	38 7/8	19 1/8	4 7/16	3 15/16	17 1/8	8	1 X 1/2 X 7 1/2	9550	2560
"	5 7/16	"	69 3/4	29 7/8	39 7/8	19 1/8	5 7/16	4 7/16	17 1/8	10	1 X 1/2 X 9 1/2	10000	2560
42 PM	4 7/16	"	75 3/4	32 7/8	42 7/8	23 1/8	4 7/16	3 15/16	21 1/8	8	1 X 1/2 X 7 1/2	10700	2705
"	5 7/16	"	77 3/4	33 7/8	43 7/8	23 1/8	5 7/16	4 7/16	21 1/8	10	1 X 1/2 X 9 1/2	11200	2705
50 PM	4 7/16	"	83 3/4	36 7/8	46 7/8	27 1/8	4 7/16	3 15/16	25 1/8	8	1 X 1/2 X 7 1/2	11950	2851
"	5 7/16	"	85 3/4	37 7/8	47 7/8	27 1/8	5 7/16	4 7/16	25 1/8	10	1 X 1/2 X 9 1/2	12400	2851
58 PM	4 7/16	"	91 3/4	40 7/8	50 7/8	31 1/8	4 7/16	3 15/16	29 1/8	8	1 X 1/2 X 7 1/2	13150	2996
"	5 7/16	"	93 3/4	41 7/8	51 7/8	31 1/8	5 7/16	4 7/16	29 1/8	10	1 X 1/2 X 9 1/2	13600	2996
66 PM	4 7/16	"	99 3/4	44 7/8	54 7/8	35 1/8	4 7/16	3 15/16	33 1/8	8	1 X 1/2 X 7 1/2	14350	3141
"	5 7/16	"	101 3/4	45 7/8	55 7/8	35 1/8	5 7/16	4 7/16	33 1/8	10	1 X 1/2 X 9 1/2	14800	3141

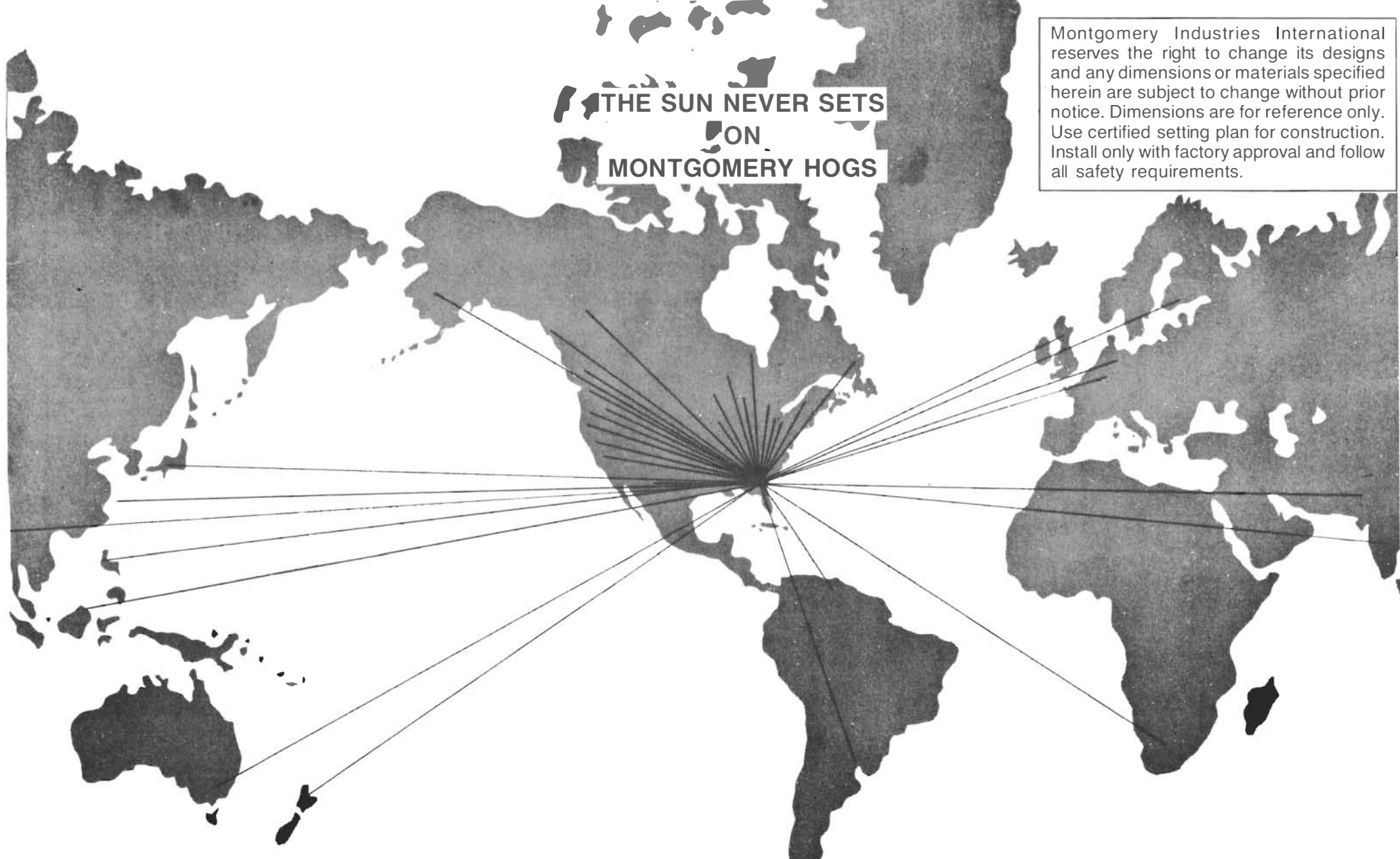
SUB - BASE DIMENSIONS IN INCHES

MODEL	BEARING SIZE	A	B	P	WEIGHT LBS.
18 PM	4 7/16	103 1/4	38 7/8	11 1/8	1258
"	5 7/16	105 1/4	41 7/8	"	"
26 PM	4 7/16	111 1/4	42 7/8	15 1/8	1312
"	5 7/16	113 1/4	45 7/8	"	"
34 PM	4 7/16	119 1/4	46 7/8	19 1/8	1366
"	5 7/16	121 1/4	49 7/8	"	"
42 PM	4 7/16	127 1/4	50 7/8	23 1/8	1420
"	5 7/16	129 1/4	53 7/8	"	"
50 PM	4 7/16	135 1/4	54 7/8	27 1/8	1474
"	5 7/16	137 1/4	57 7/8	"	"
58 PM	4 7/16	143 1/4	58 7/8	31 1/8	1528
"	5 7/16	145 1/4	61 7/8	"	"
66 PM	4 7/16	151 1/4	62 7/8	35 1/8	1582
"	5 7/16	153 1/4	65 7/8	"	"



**THE SUN NEVER SETS
ON
MONTGOMERY HOGS**

Montgomery Industries International reserves the right to change its designs and any dimensions or materials specified herein are subject to change without prior notice. Dimensions are for reference only. Use certified setting plan for construction. Install only with factory approval and follow all safety requirements.



INSTALLATIONS AROUND THE WORLD



- ARGENTINA
- AUSTRALIA
- BAHAMAS
- BANGLADESH
- BELGIUM
- BRAZIL
- CANADA
- CEYLON
- CHILE
- DUTCH GUIANA
- ECUADOR
- ENGLAND
- FORMOSA
- FRANCE
- GHANA
- HONDURAS
- HONG KONG
- INDIA
- JAPAN
- LIBERIA
- MALAYSIA
- MEXICO
- NEW ZEALAND
- PHILIPPINE ISLANDS
- POLAND
- PUERTO RICO
- REPUBLIC OF CHINA
- RUSSIA
- SCOTLAND
- SOUTH AFRICA
- SWAZILAND
- SWEDEN
- UNITED STATES
- VENEZUELA
- WESTERN SAMOA
- WEST INDIES