

DIMENSION SHEET

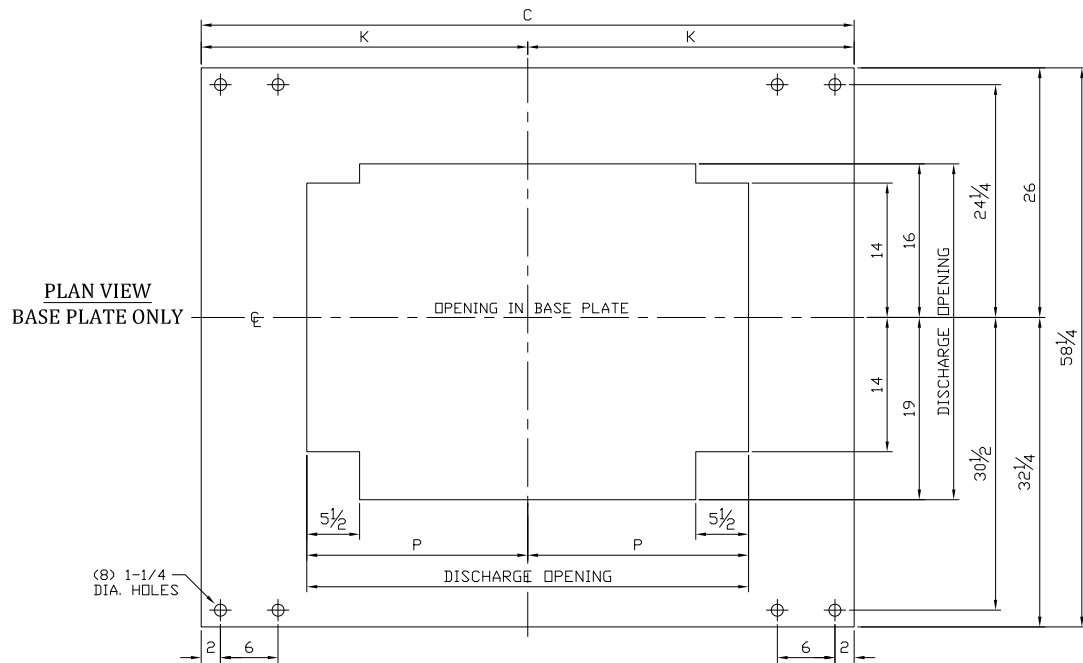
for

MODEL CS-KC



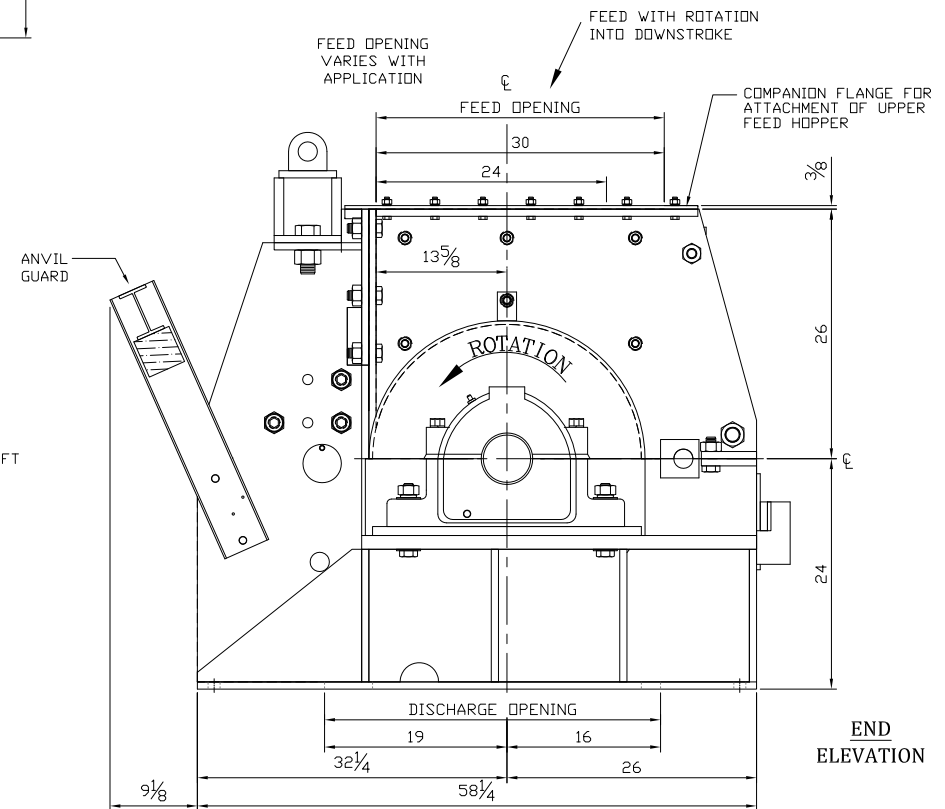
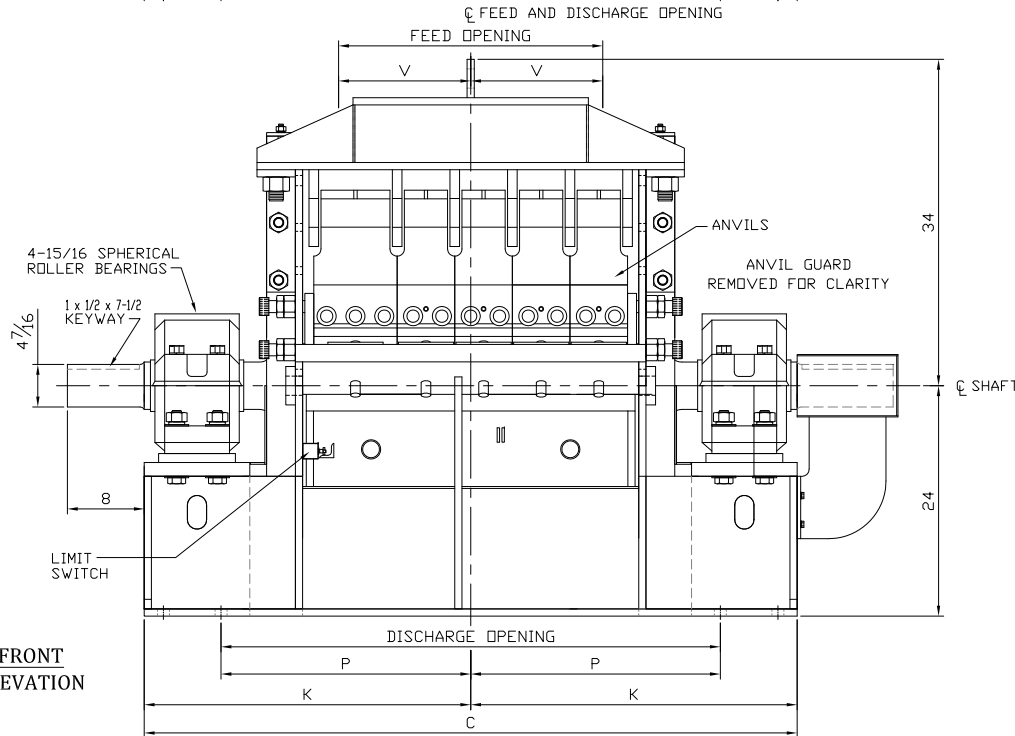
Montgomery Industries International, Inc.
P.O. Box 3687 • 2017 Thelma Street
Jacksonville, Florida 32206 U.S.A.
Phone: (904) 355-5671
FAX: (904) 355-0401
www.montgomeryindustries.com

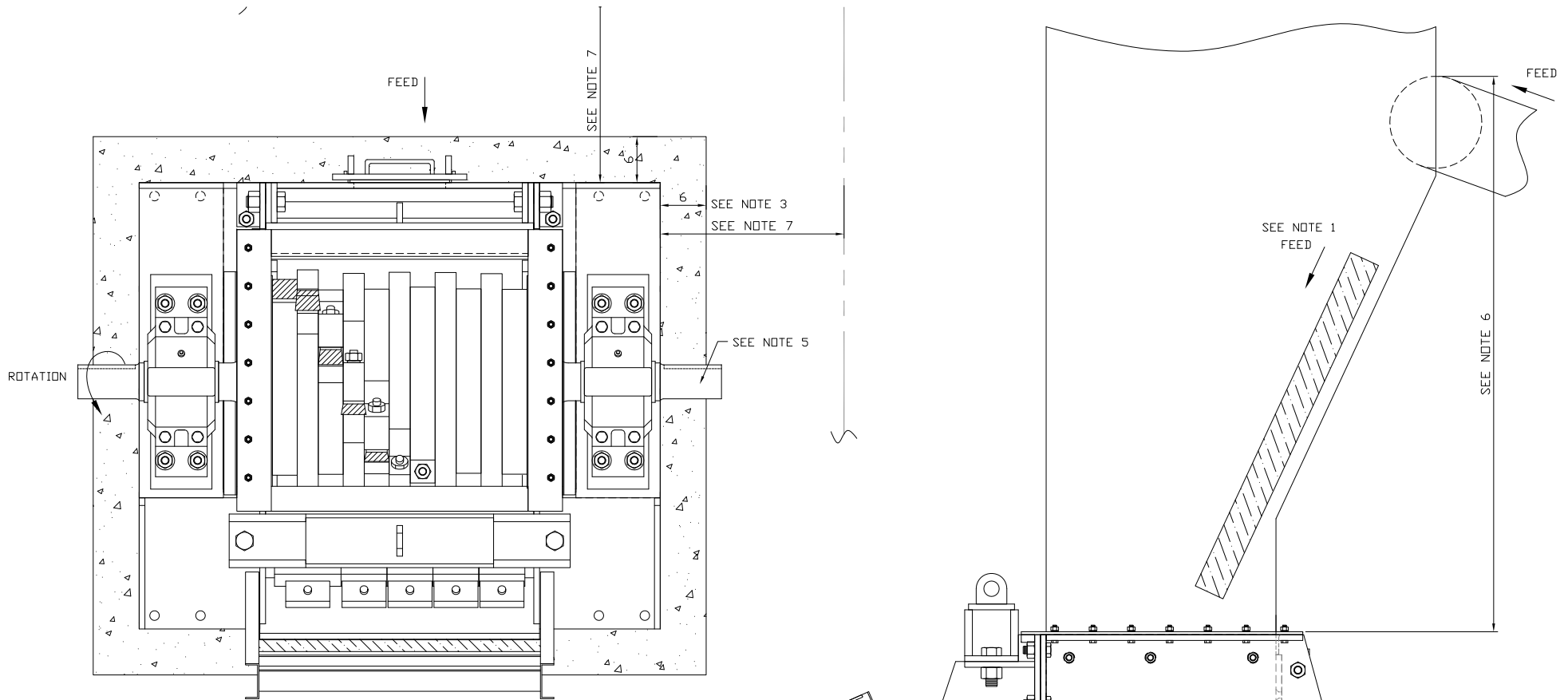
DS 24-06.19



DIMENSIONS IN INCHES

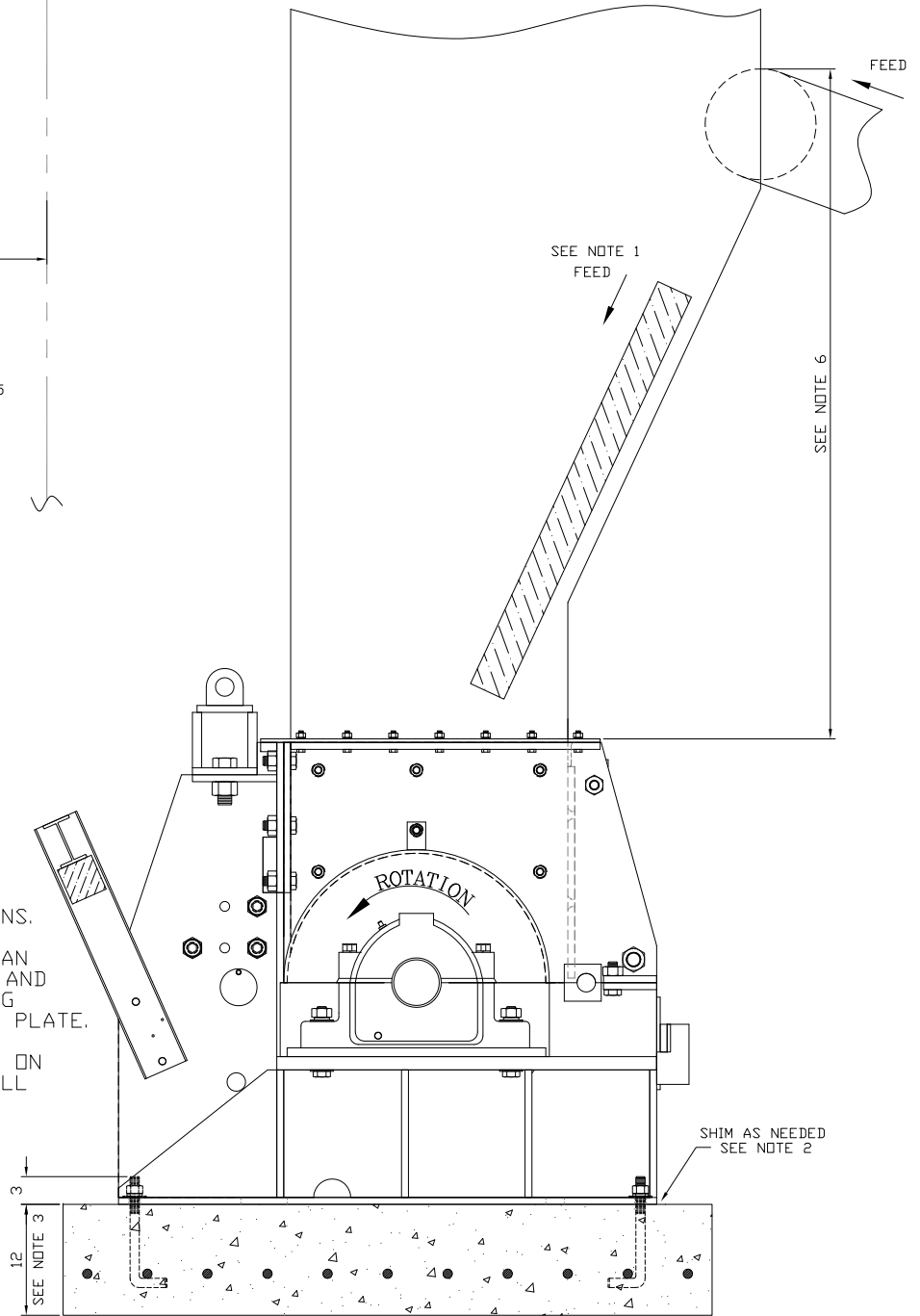
MODEL	C	K	P	V	WR ² (LB-FT ²)	APPROX. WEIGHT
21 CS-KC	56	28	17	10 3/4	2,200	11,000 LBS
27 CS-KC	62	31	20	13 3/4	2,800	12,500 LBS
33 CS-KC	68	34	23	16 3/4	3,400	14,000 LBS
39 CS-KC	74	37	26	19 3/4	4,000	15,500 LBS
45 CS-KC	80	40	29	22 3/4	4,600	17,000 LBS
51 CS-KC	86	43	32	25 3/4	5,200	18,500 LBS
57 CS-KC	92	46	35	28 3/4	5,800	20,000 LBS
63 CS-KC	98	49	38	31 3/4	6,400	21,500 LBS
69 CS-KC	104	52	41	34 3/4	7,000	23,000 LBS
75 CS-KC	110	55	44	37 3/4	7,600	24,500 LBS

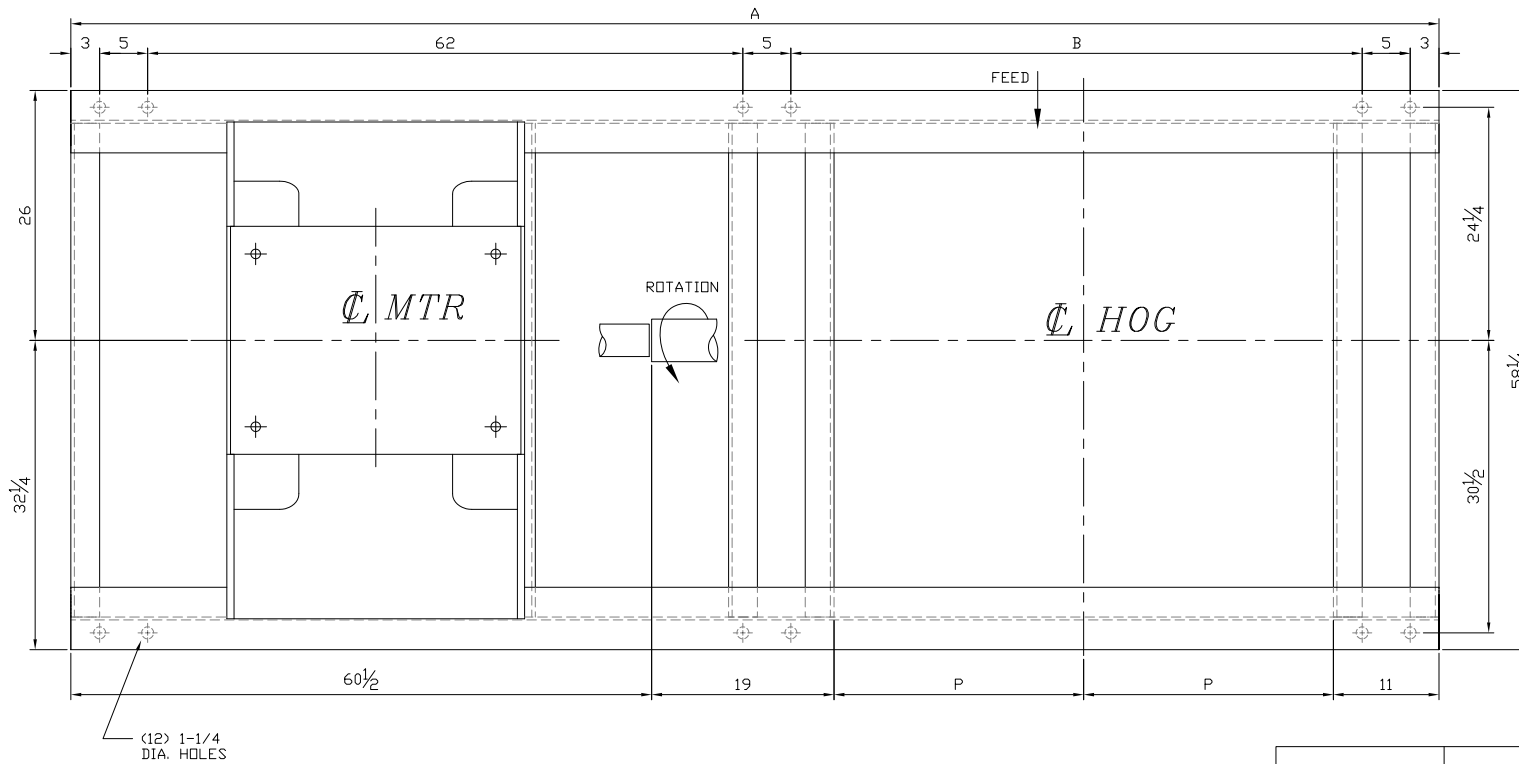




GENERAL NOTES

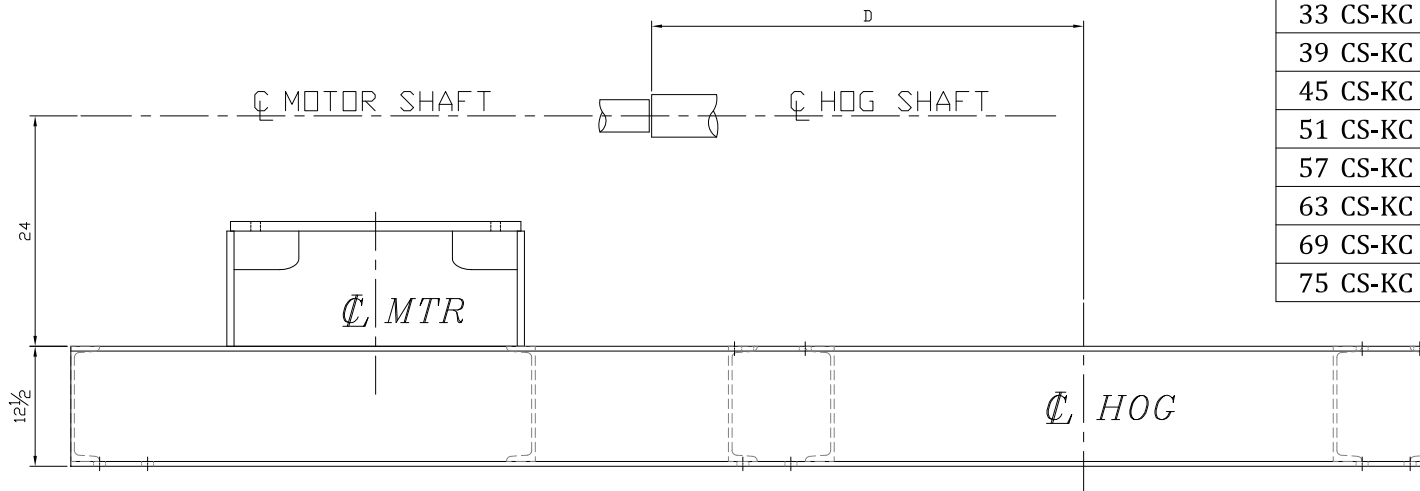
1. DO NOT FEED AGAINST ROTATION. FEED MAY BE ANY OF OTHER THREE DIRECTIONS.
2. HOG MUST BE MOUNTED WITH BASE PLATE HORIZONTAL. DO NOT MOUNT HOG ON AN ANGLE TO FACILITATE FEEDING. FOUNDATIONS MUST BE SMOOTH, CLEAN, LEVEL AND UNIT MUST BE SHIMMED PRIOR TO TIGHTENING. UNIT CAN BOW AND BIND CAUSING EXCESSIVE STRESS IF ANCHORING ALTERS THE INHERENT CONTOUR OF THE BASE PLATE.
3. A REINFORCED CONCRETE FOUNDATION SHOULD EXTEND AT LEAST 6" BEYOND HOG ON ALL SIDES. THE MINIMUM THICKNESS IS 12". LOCAL CODES AND FROST LINE WILL DETERMINE ACTUAL THICKNESS REQUIRED.
4. ALL DIMENSIONS SHOWN ARE STANDARD AND MAY VARY WITH INSTALLATIONS.
5. HOG CAN BE DRIVEN FROM EITHER END.
6. TO CONTAIN KICKBACK, UPPER HOPPER SHOULD BE DESIGNED SO THAT THERE IS A MINIMUM OF 60" FROM THE TOP OF THE FEED CONVEYOR BELT TO THE COMPANION FLANGE ON UPPER HOUSING.
7. ALLOW 36" CLEARANCE AROUND MACHINE FOR MAINTENANCE.

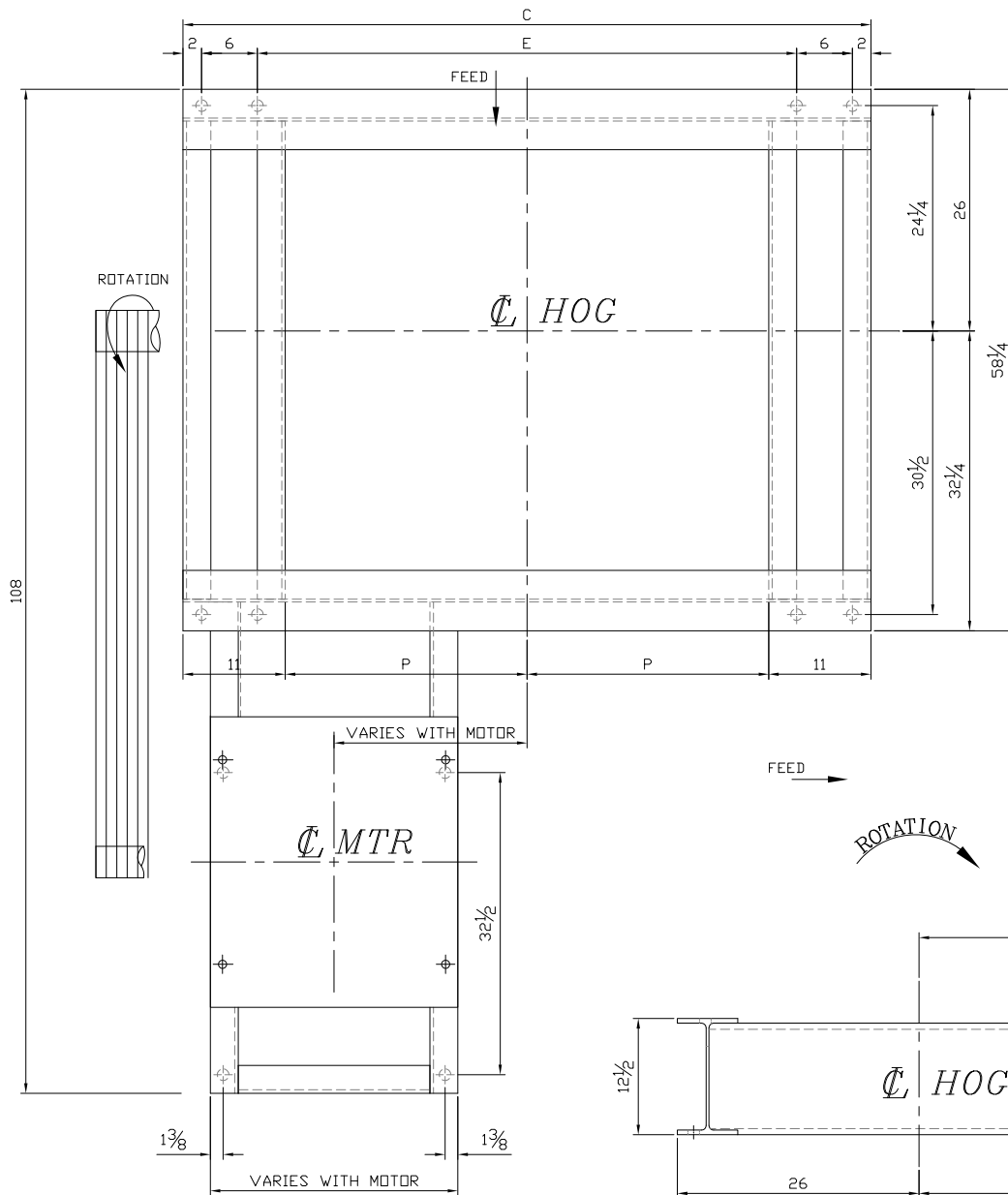




**DIMENSIONS
IN INCHES**

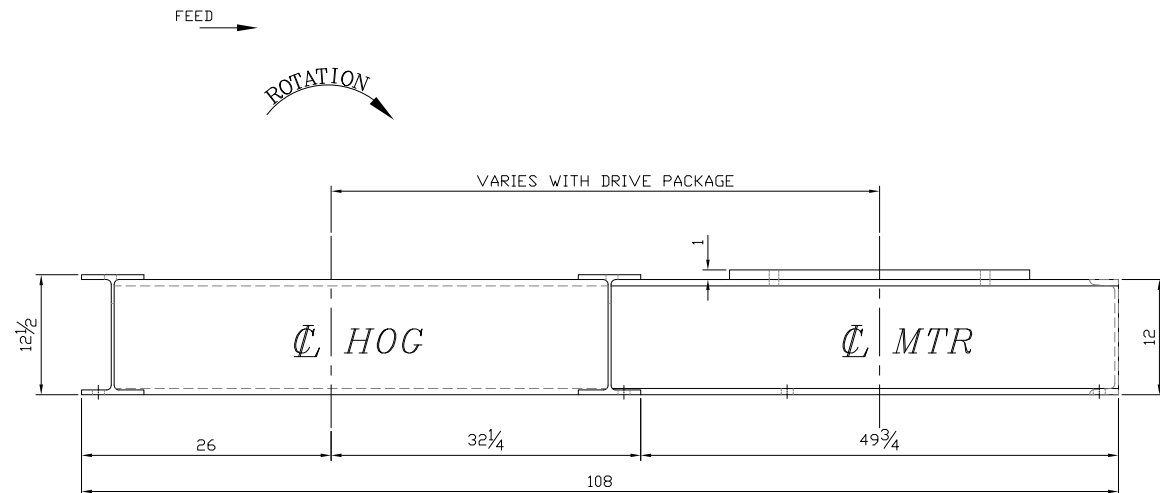
MODEL	A	B	D	P	APPROX. WEIGHT
21 CS-KC	124½	41½	36	17	2,250 LBS
27 CS-KC	130½	47½	39	20	2,300 LBS
33 CS-KC	136½	53½	42	23	2,350 LBS
39 CS-KC	142½	59½	45	26	2,400 LBS
45 CS-KC	148½	65½	48	29	2,450 LBS
51 CS-KC	154½	71½	51	32	2,500 LBS
57 CS-KC	160½	77½	54	35	2,550 LBS
63 CS-KC	166½	83½	57	38	2,600 LBS
69 CS-KC	172½	89½	60	41	2,650 LBS
75 CS-KC	178½	95½	63	44	2,700 LBS



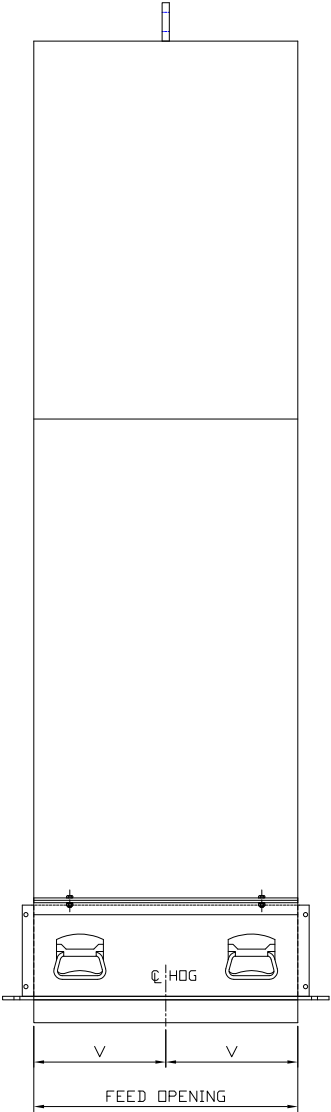
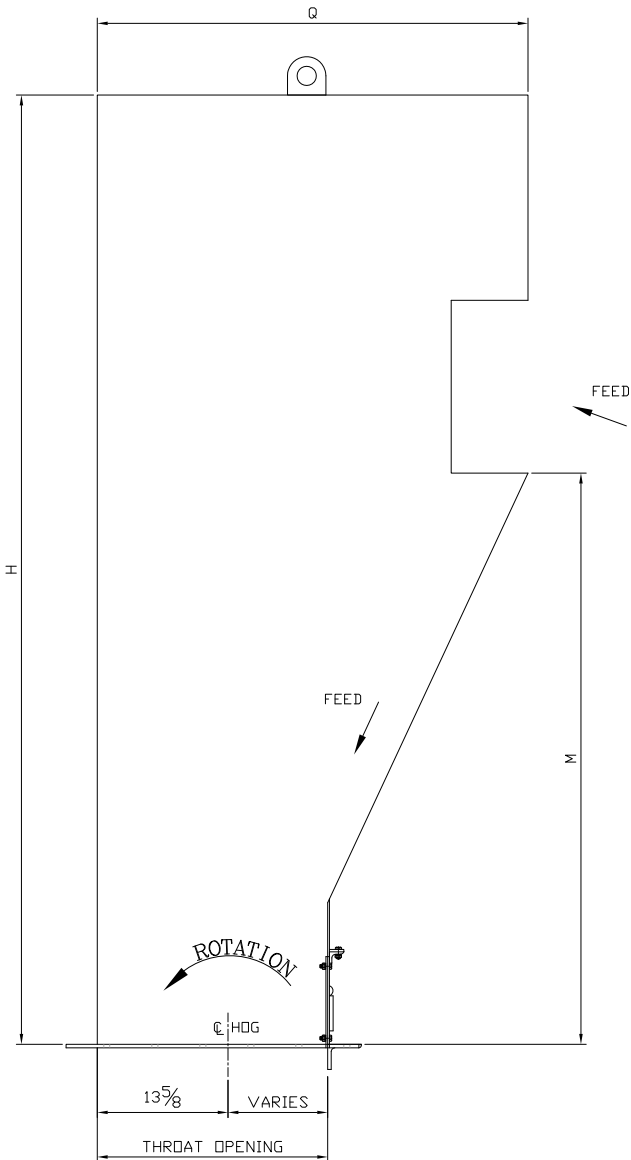


DIMENSIONS IN INCHES

MODEL	C	E	P	APPROX. WEIGHT
21 CS-KC	56	40	17	1,400 LBS
27 CS-KC	62	46	20	1,450 LBS
33 CS-KC	68	52	23	1,500 LBS
39 CS-KC	74	58	26	1,550 LBS
45 CS-KC	80	64	29	1,600 LBS
51 CS-KC	86	70	32	1,650 LBS
57 CS-KC	92	76	35	1,700 LBS
63 CS-KC	98	82	38	1,750 LBS
69 CS-KC	104	88	41	1,800 LBS
75 CS-KC	110	94	44	1,850 LBS



DIMENSIONS IN INCHES



MODEL	V	FEED OPENING
21 CS-KC	10 ³ / ₄	21 ¹ / ₂
27 CS-KC	13 ³ / ₄	27 ¹ / ₂
33 CS-KC	16 ³ / ₄	33 ¹ / ₂
39 CS-KC	19 ³ / ₄	39 ¹ / ₂
45 CS-KC	22 ³ / ₄	45 ¹ / ₂
51 CS-KC	25 ³ / ₄	51 ¹ / ₂
57 CS-KC	28 ³ / ₄	57 ¹ / ₂
63 CS-KC	31 ³ / ₄	63 ¹ / ₂
69 CS-KC	34 ³ / ₄	69 ¹ / ₂
75 CS-KC	37 ³ / ₄	75 ¹ / ₂

24" THROAT			
SCRAP LENGTH	H	M	Q
5 FT	99 ¹ / ₂	60 ¹ / ₈	45 ¹ / ₈
6 FT	109 ⁵ / ₈	66 ¹ / ₄	48
7 FT	130 ³ / ₄	83 ³ / ₈	56
8 FT	151 ⁷ / ₈	100 ¹ / ₂	64

30" THROAT			
SCRAP LENGTH	H	M	Q
5 FT	99 ¹ / ₂	60 ¹ / ₈	45 ¹ / ₈
6 FT	111 ¹ / ₄	67 ⁷ / ₈	48
7 FT	132 ³ / ₈	85	56
8 FT	153 ¹ / ₂	102 ¹ / ₈	64