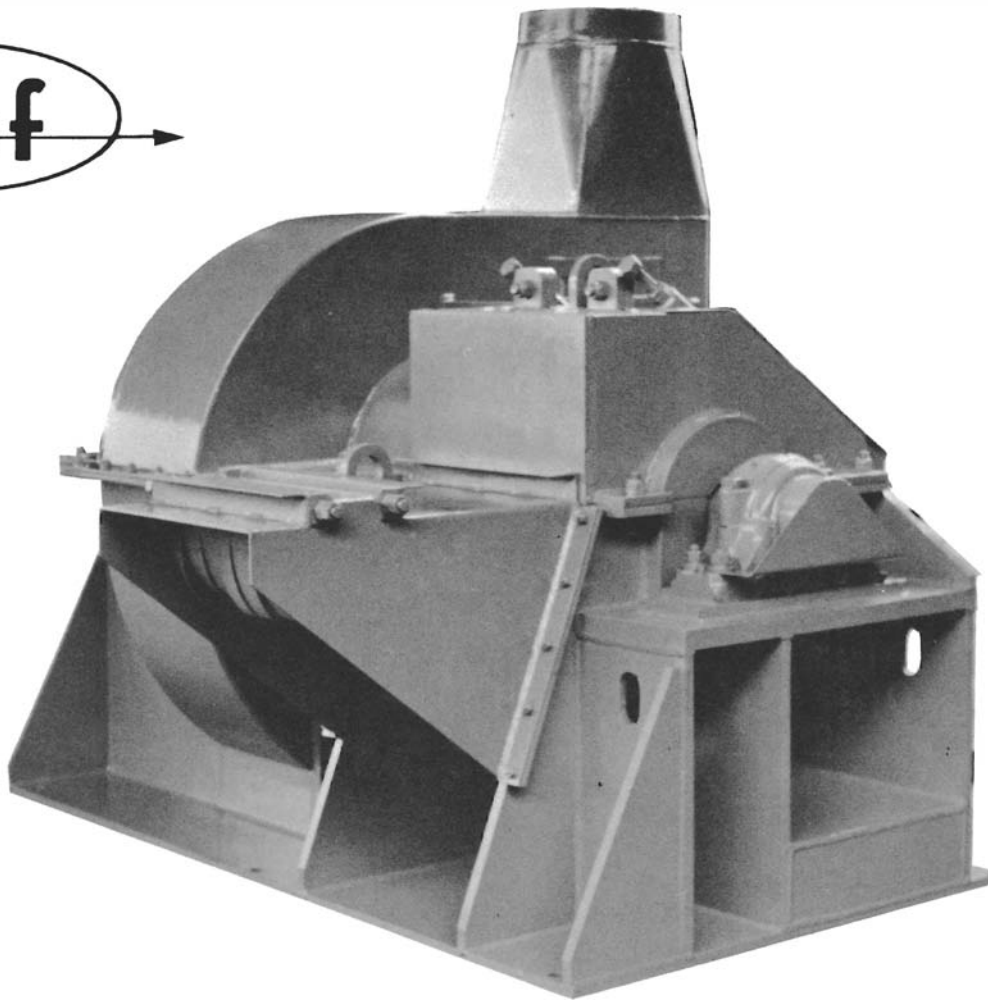


**MONTGOMERY  
HORIZONTAL FEED  
P.M. MODEL  
BLO·HOG®**

**DIMENSION SHEET**  
DS 24-22-92



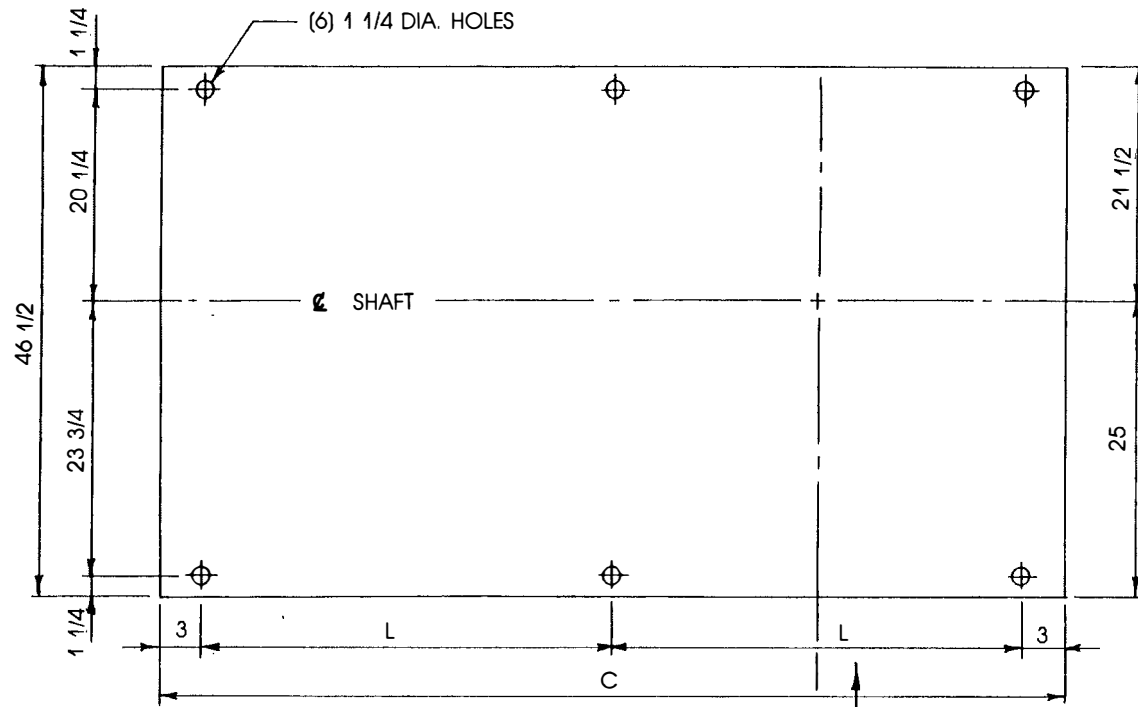
**MONTGOMERY INDUSTRIES INTERNATIONAL, INC.**

P.O. Box 3687 • 2017 Thelma St.  
JACKSONVILLE, FLORIDA U.S.A. 32206  
Phone (904) 355-5671 • FAX (904) 355-0401

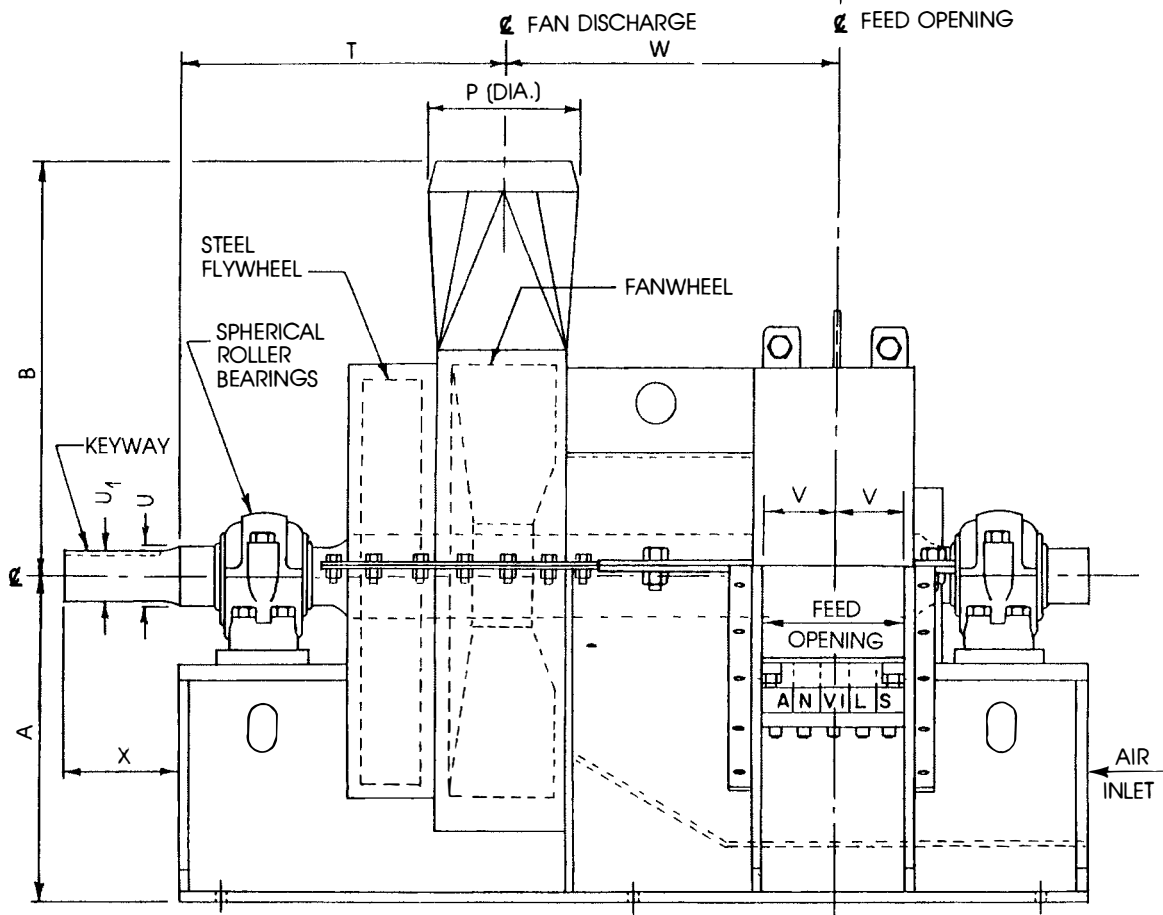
*Since 1925 - Solving Difficult Problems for Industry*

**GENERAL NOTES**

1. Hog must be mounted with base horizontal. Do not mount hog on an angle to facilitate feeding.
2. Use a reinforced concrete foundation 12" minimum thickness, to extend 6" beyond hog base on all sides. In cold climates the depth will be determined by the frost line.
3. Allow 3' clearance all around machine for maintenance.
4. During normal operation there is very little impact or vibration load transmitted to the base of the machine. However, if Hog is to be mounted on steel columns, the supporting structure should be designed for two and one half times the static load for safety.
5. Blo-Hog models should have speed and power corrected for altitude for installations above 2000 feet M.S.L.
6. All dimensions shown are standard and may vary with special installations.
7. Hog configuration shown is standard (i.e. flywheel to left when facing anvils). Hog can be built opposite hand from that shown if requested before assembly is started.

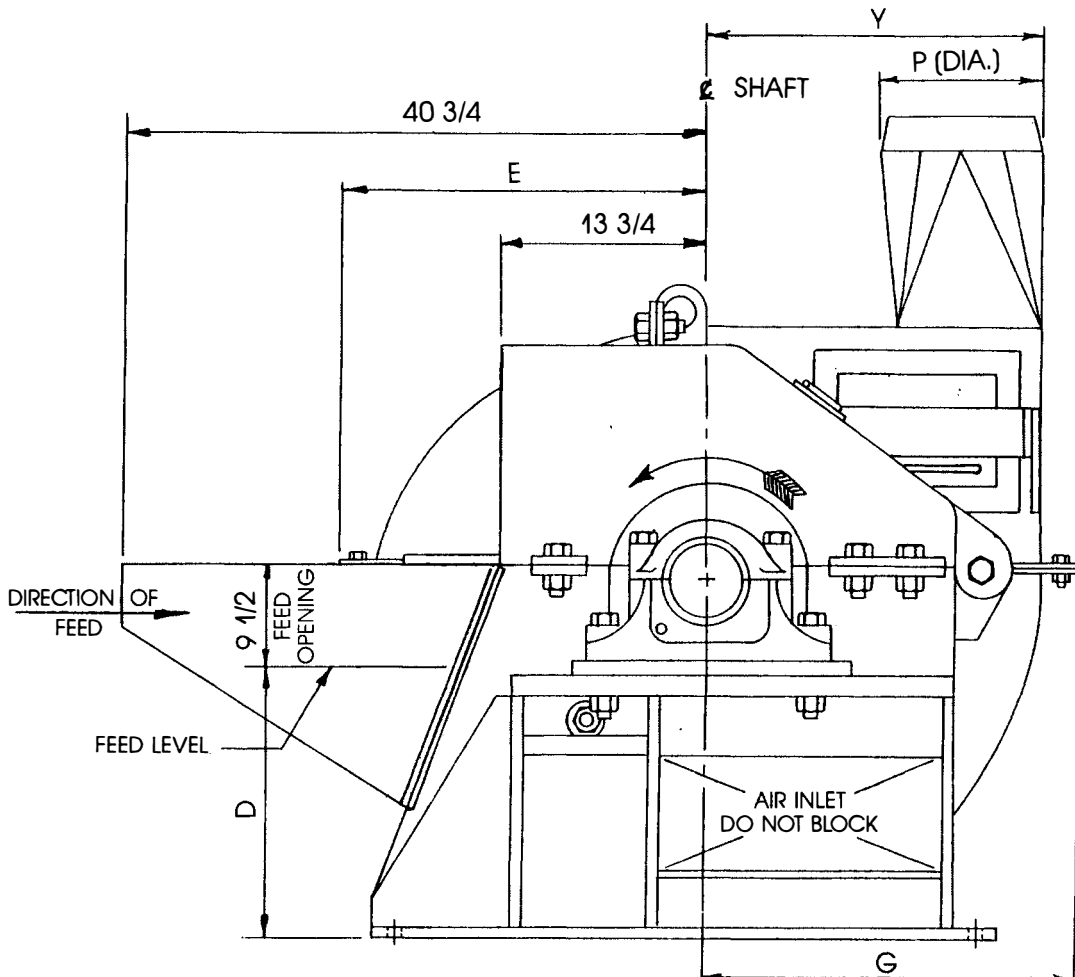


**PLAN VIEW - BASE PLATE ONLY**



**FRONT ELEVATION**

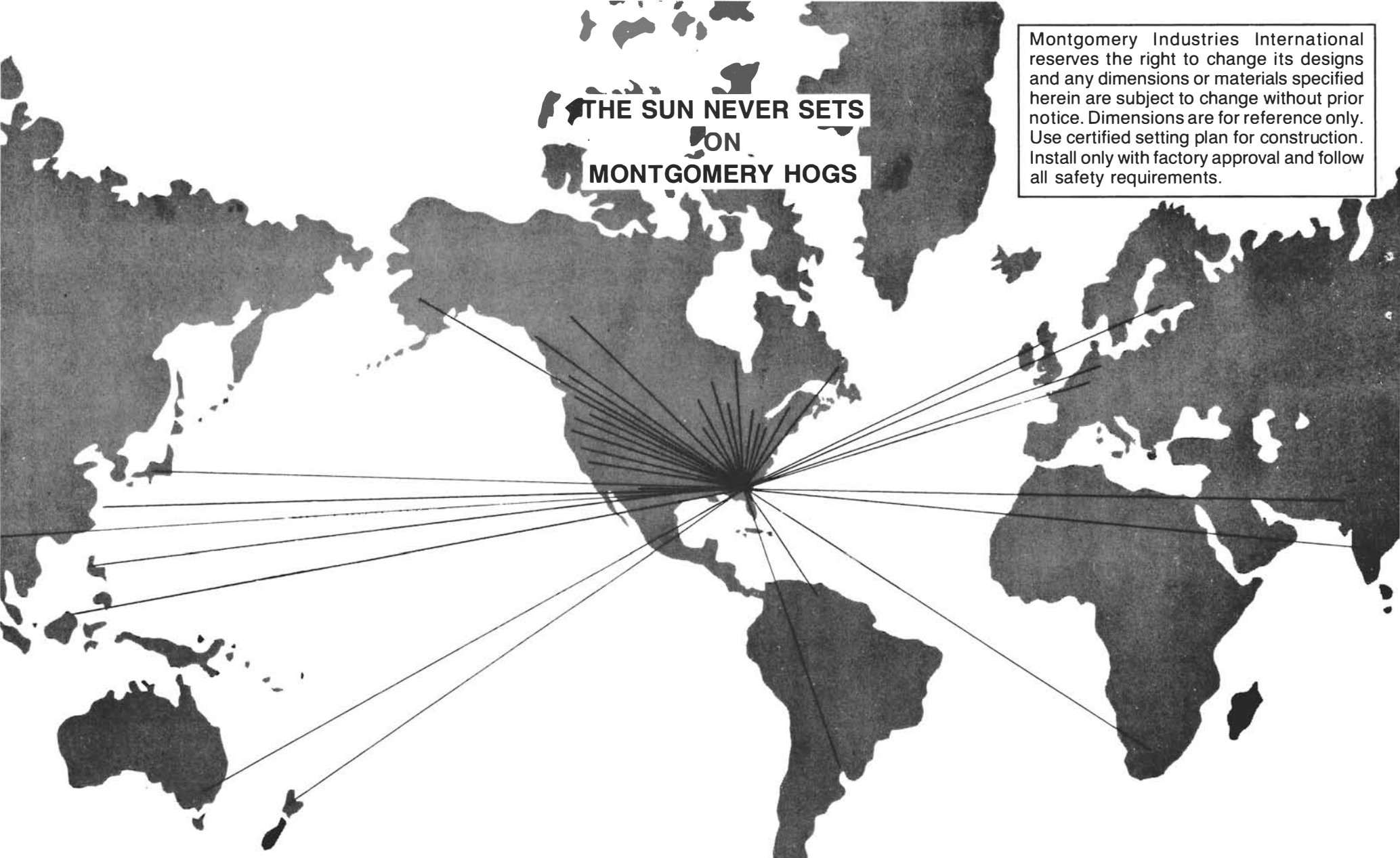
MODEL	BRG. SIZE	FAN SIZE	STANDARD FLYWHEEL	A	B	C	D	E	G	L	P	T	U	U <sub>1</sub>	V	W	X	Y	KEYWAY	WEIGHT #	WR <sup>2</sup> # FT <sup>2</sup>
18 PM 40	4 7/16	40	4x36	28 3/4	39 3/4	75 3/8	20 3/4	26 7/8	32 1/8	34 11/16	13-17	25 13/16	4 7/16	3 15/16	9 1/8	28 11/16	8	29 5/8	1 x 1/2 x 7 1/2	9,379	2,167
18 PM 50	"	50	6 x 36	35 7/8	45 3/8	84 7/8	27 7/8	33 1/4	40	39 7/16	18-21	27 9/16	"	"	"	36 7/16	8	37 1/2	1 x 1/2 x 7 1/2	11,301	3,309
18 PM 60	5 7/16	60	"	41 3/4	50 1/4	89 1/2	33 3/4	38 5/8	46 3/8	41 3/4	22-25	29 7/8	5 7/16	4 7/16	"	37 3/4	10	43 7/8	1 x 1/2 x 8 1/2	12,875	4,959
26 PM 40	4 7/16	40	"	28 3/4	39 3/4	83 3/8	20 3/4	26 7/8	32 1/8	38 11/16	13-17	25 13/16	4 7/16	3 15/16	13 1/8	32 11/16	8	29 5/8	1 x 1/2 x 7 1/2	10,928	2,692
26 PM 50	"	50	"	35 7/8	45 3/8	92 7/8	27 7/8	33 1/4	40	43 7/16	18-21	27 9/16	"	"	"	40 7/16	10	37 1/2	1 x 1/2 x 8 1/2	12,326	3,455
"	5 7/16	50	"	"	"	94 7/8	"	"	"	44 7/16	"	28 9/16	5 7/16	4 7/16	"	"	"	"	"	12,446	"
26 PM 60	"	60	"	41 3/4	50 1/4	97 1/2	33 3/4	38 5/8	46 3/8	45 3/4	22-25	29 7/8	"	"	"	41 3/4	"	43 7/8	"	13,949	5,105
34 PM 40	4 7/16	40	"	28 3/4	39 3/4	91 3/8	20 3/4	26 7/8	32 1/8	42 11/16	13-17	25 13/16	4 7/16	3 15/16	17 1/8	36 11/16	"	29 5/8	"	11,932	2,838
34 PM 50	5 7/16	50	"	35 7/8	45 3/8	102 7/8	27 7/8	33 1/4	40	48 7/16	18-21	28 9/16	5 7/16	4 7/16	"	44 7/16	"	37 1/2	"	13,474	3,601
34 PM 60	"	60	"	41 3/4	50 1/4	105 1/2	33 3/4	38 5/8	46 3/8	49 3/4	22-25	29 7/8	"	"	"	45 3/4	"	43 7/8	"	14,967	5,250
42 PM 50	"	50	"	35 7/8	45 3/8	110 7/8	27 7/8	33 1/4	40	52 7/16	18-21	28 9/16	"	"	21 1/8	48 7/16	"	37 1/2	"	14,495	3,747
42 PM 60	"	60	"	41 3/4	50 1/4	113 1/2	33 3/4	38 5/8	46 3/8	53 3/4	22-25	29 7/8	"	"	"	49 3/4	"	43 7/8	"	16,008	5,395
50 PM 50	"	50	"	35 7/8	45 3/8	118 7/8	27 7/8	33 1/4	40	56 7/16	18-21	28 9/16	"	"	25 1/8	52 7/16	"	37 1/2	"	15,493	3,893
50 PM 60	"	60	"	41 3/4	50 1/4	121 1/2	33 3/4	38 5/8	46 3/8	57 3/4	22-25	29 7/8	"	"	"	53 3/4	"	43 7/8	"	17,049	5,541
58 PM 50	"	50	"	35 7/8	45 3/8	126 7/8	27 7/8	33 1/4	40	60 7/16	18-21	28 9/16	"	"	29 1/8	56 7/16	"	37 1/2	"	16,491	4,039
58 PM 60	"	60	"	41 3/4	50 1/4	129 1/2	33 3/4	38 5/8	46 3/8	61 3/4	22-25	29 7/8	"	"	"	57 3/4	"	43 7/8	"	18,090	5,687



**END ELEVATION, OPP. FLYWHEEL**

**THE SUN NEVER SETS  
ON  
MONTGOMERY HOGS**

Montgomery Industries International reserves the right to change its designs and any dimensions or materials specified herein are subject to change without prior notice. Dimensions are for reference only. Use certified setting plan for construction. Install only with factory approval and follow all safety requirements.



**INSTALLATIONS AROUND THE WORLD**



- ARGENTINA
- AUSTRALIA
- BAHAMAS
- BANGLADESH
- BELGIUM
- BRAZIL
- CANADA
- CEYLON
- CHILE
- DUTCH GUIANA
- ECUADOR
- ENGLAND
- FORMOSA
- FRANCE
- GHANA
- HONDURAS
- HONG KONG
- INDIA
- JAPAN
- LIBERIA
- MALAYSIA
- MEXICO
- NEW ZEALAND
- PHILIPPINE ISLANDS
- POLAND
- PUERTO RICO
- REPUBLIC OF CHINA
- RUSSIA
- SCOTLAND
- SOUTH AFRICA
- SWAZILAND
- SWEDEN
- UNITED STATES
- VENEZUELA
- WESTERN SAMOA
- WEST INDIES