



**HD Model Horizontal Hog – Rear  
Discharge**

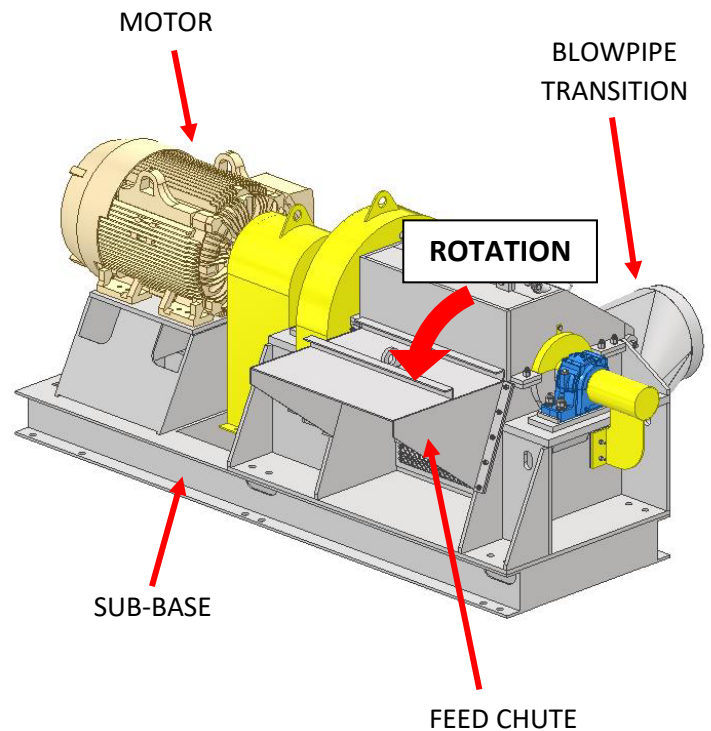
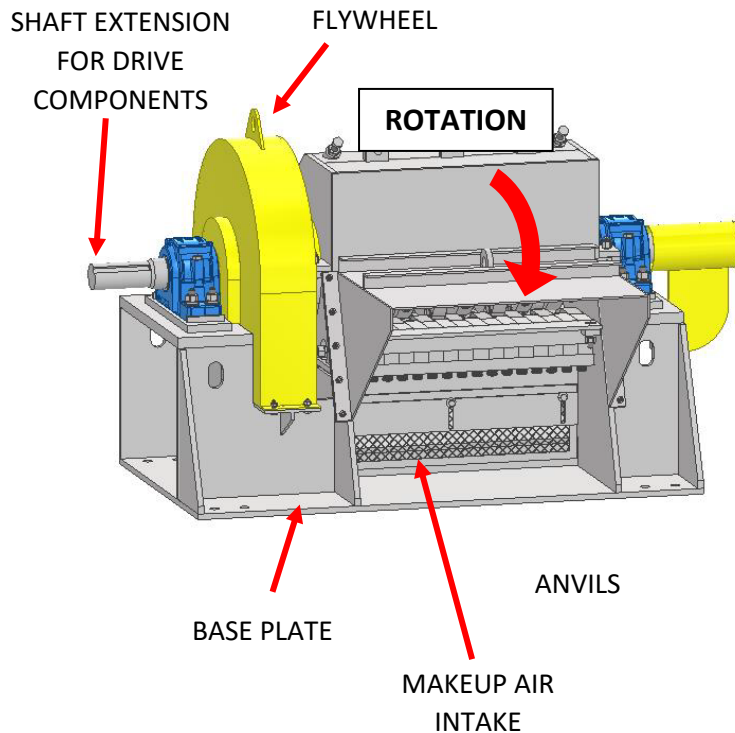
*Dimension Sheet*

*DS 24-16-24*



## HD-HZF RD DIMENSION SHEET

DS 24-16-24



### [GENERAL NOTES]

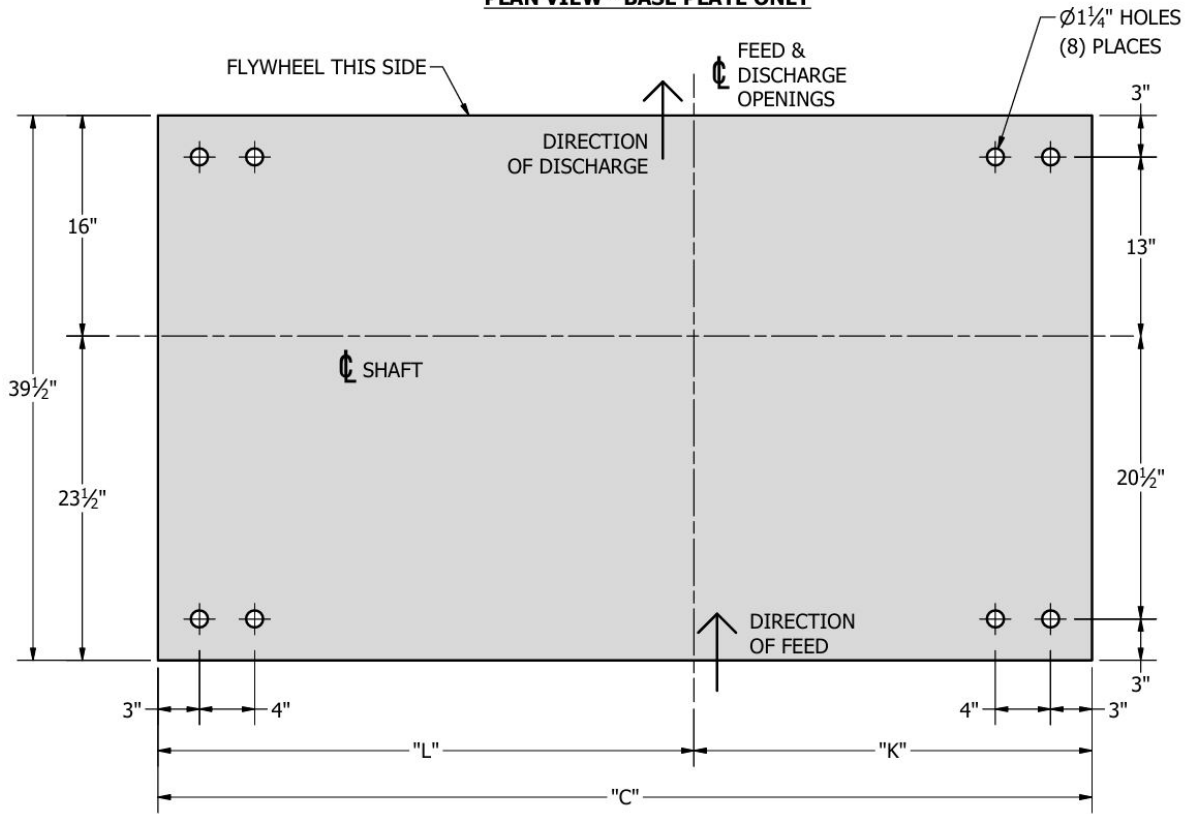
1. THE HOG MUST BE MOUNTED WITH THE BASE PLATE HORIZONTAL. DO NOT MOUNT THE HOG ON AN ANGLE TO FACILITATE FEEDING. FOUNDATIONS MUST BE SMOOTH, CLEAN, AND LEVEL. **THE UNIT MUST BE SHIMMED PRIOR TO TIGHTENING.** THE UNIT CAN BOW AND BIND, CAUSING EXCESSIVE STRESS IF ANCHORING ALTERS THE INHERENT CONTOUR OF THE BASE PLATE.
2. A REINFORCED CONCRETE FOUNDATION SHOULD EXTEND AT LEAST 6" BEYOND THE HOG ON ALL SIDES. THE MINIMUM THICKNESS IS 12". SEE *BULLETIN 57-06-22 FOUNDATION PREPARATION* FOR MORE INFORMATION.
3. ALL DIMENSIONS SHOWN ARE STANDARD AND MAY VARY WITH INSTALLATIONS.
4. THE HOG CAN BE BUILT OPPOSITE HAND FROM THAT SHOWN. THE FLYWHEEL CAN BE MOUNTED ON THE OPPOSITE END IF REQUESTED BEFORE MANUFACTURING HAS STARTED.
5. ALLOW 36" CLEARANCE AROUND THE MACHINE FOR MAINTENANCE. **DO NOT BLOCK THE MAKEUP AIR INLET.**
6. THERE ARE EIGHT (8) 1-1/4" DIAMETER HOLES FOR SECURING THE HOG TO THE FOUNDATION OR SUB-BASE. FOUNDATION ANCHOR BOLTS TO BE 1" N.C., EXTENDING 3" ABOVE THE REINFORCED CONCRETE FOUNDATION. SEE *BULLETIN 57-06-22 FOUNDATION PREPARATION* FOR MORE INFORMATION.
7. IF THE HOG IS TO BE MOUNTED ON STEEL COLUMNS, THE SUPPORTING STRUCTURE SHOULD BE DESIGNED FOR 2-1/2 TIMES THE STATIC LOAD FOR SAFETY.



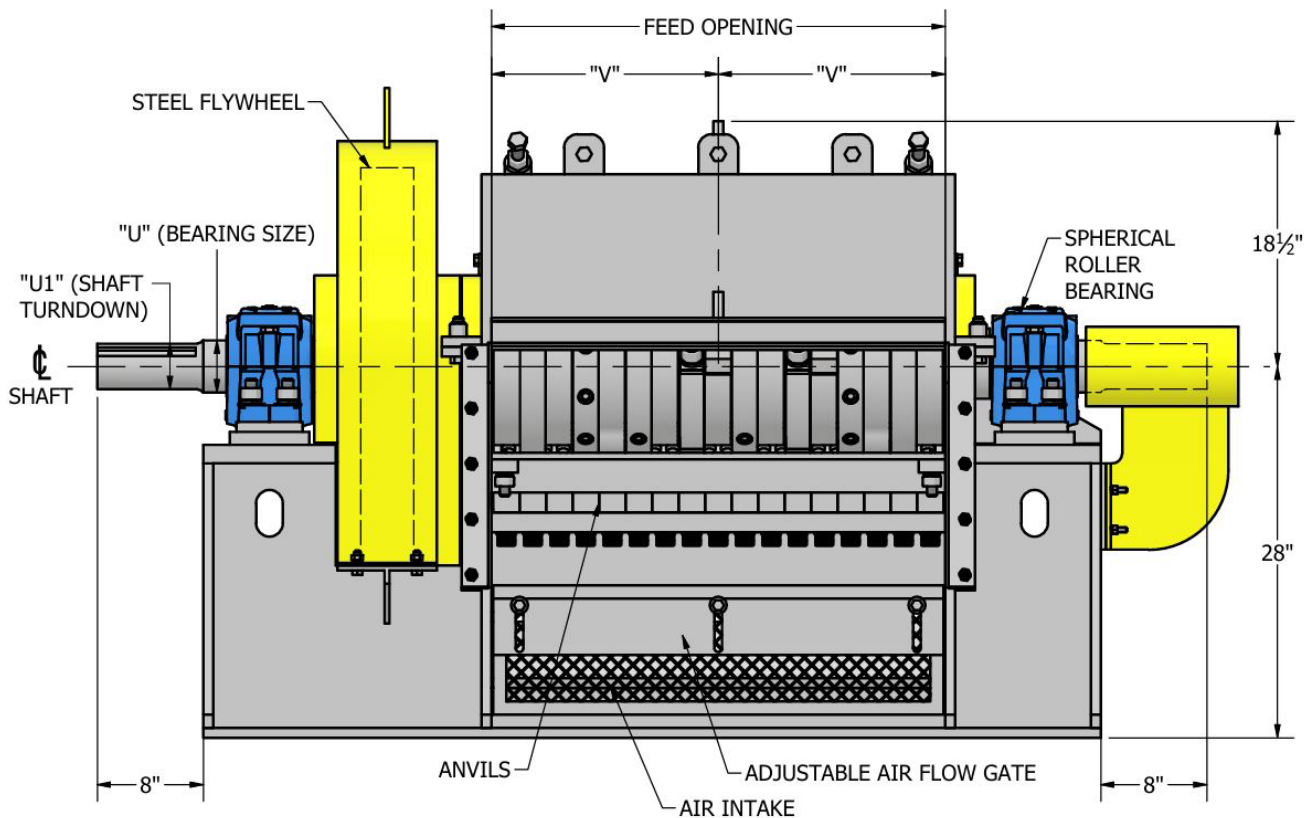
# HD-HZF RD DIMENSION SHEET

DS 24-16-24

## PLAN VIEW - BASE PLATE ONLY



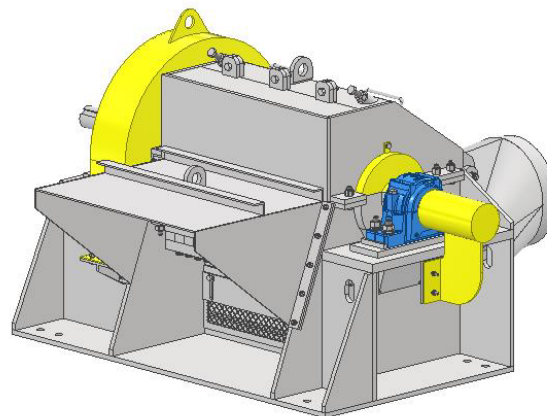
## FRONT ELEVATION





# HD-HZF RD DIMENSION SHEET

DS 24-16-24



[HOG DIMENSIONS IN INCHES]

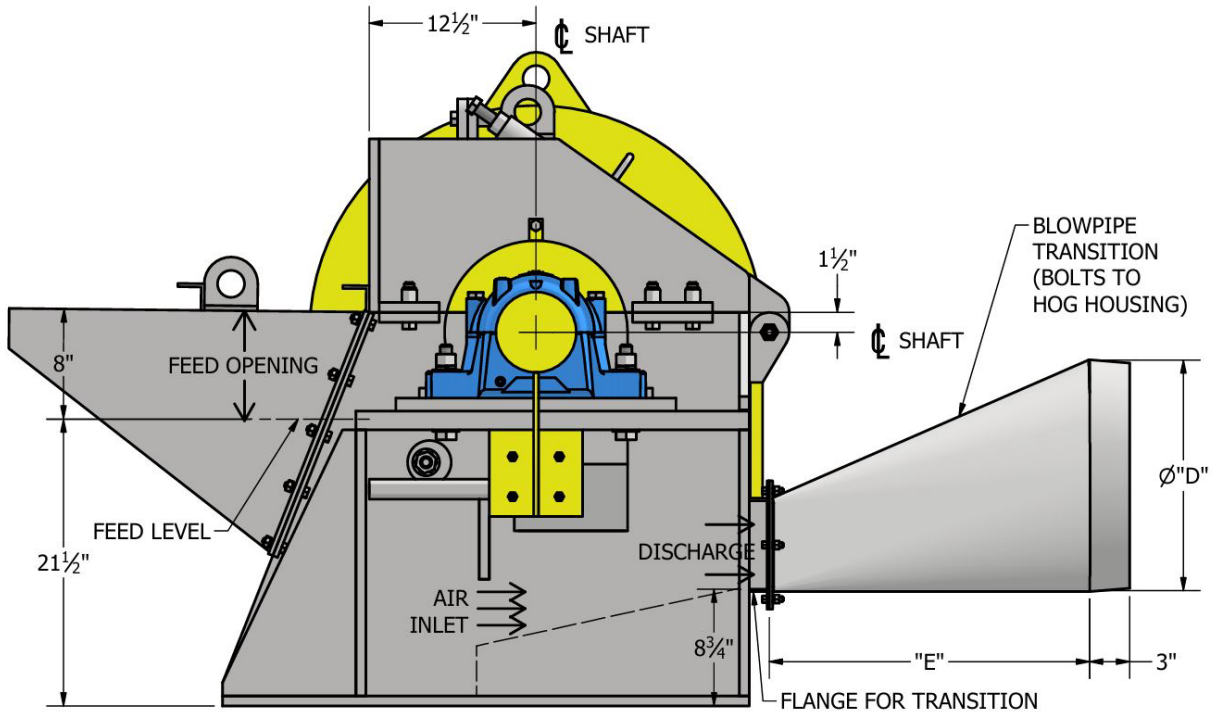
MODEL	BEARING SIZE "U"	STANDARD FLYWHEEL	"C"	"K"	"L"	"U1"	"V"	DRIVE KEYWAY
10 HD-HZF RD	3-15/16	4 X 30	43-3/4	16-7/8	26-7/8	3-7/16	5-1/8	7/8 X 7/16 X 7-7/16
	4-7/16					3-15/16		1 X 1/2 X 7-1/2
18 HD-HZF RD	3-15/16	4 X 30	51-3/4	20-7/8	30-7/8	3-7/16	9-1/8	7/8 X 7/16 X 7-7/16
	4-7/16					3-15/16		1 X 1/2 X 7-1/2
26 HD-HZF RD	3-15/16	4 X 30	59-3/4	24-7/8	34-7/8	3-7/16	13-1/8	7/8 X 7/16 X 7-7/16
	4-7/16					3-15/16		1 X 1/2 X 7-1/2
34 HD-HZF RD	3-15/16	4 X 30	67-3/4	28-7/8	38-7/8	3-7/16	17-1/8	7/8 X 7/16 X 7-7/16
	4-7/16	6 X 30				3-15/16		1 X 1/2 X 7-1/2
42 HD-HZF RD	3-15/16	4 X 30	75-3/4	32-7/8	42-7/8	3-7/16	21-1/8	7/8 X 7/16 X 7-7/16
	4-7/16	6 X 30				3-15/16		1 X 1/2 X 7-1/2
50 HD-HZF RD	3-15/16	4 X 30	83-3/4	36-7/8	46-7/8	3-7/16	25-1/8	7/8 X 7/16 X 7-7/16
	4-7/16	6 X 30				3-15/16		1 X 1/2 X 7-1/2
58 HD-HZF RD	3-15/16	4 X 30	91-3/4	40-7/8	50-7/8	3-7/16	29-1/8	7/8 X 7/16 X 7-7/16
	4-7/16	6 X 30				3-15/16		1 X 1/2 X 7-1/2



# HD-HZF RD DIMENSION SHEET

DS 24-16-24

## SIDE ELEVATION



### [BLOWPIPE TRANSITION DIMENSIONS IN INCHES\*]

PIPE DIAMETER "D"	"E"
13	18
14	18
15	18
16	18 – 24
17	18 – 24
18	18 – 24
19	18 – 24
20	18 – 24
21	24 – 30
22	24 – 30
23	24 – 30
24	24 – 30

### [HOG WEIGHT AND ROTOR INERTIA]

MODEL	BEARING SIZE	WEIGHT (LBS)	WR <sup>2</sup> (#FT <sup>2</sup> )
10 HD-HZF RD	3-15/16"	5000	752
	4-7/16"	5100	
18 HD-HZF RD	3-15/16"	5800	814
	4-7/16"	5900	
26 HD-HZF RD	3-15/16"	6600	876
	4-7/16"	6700	
34 HD-HZF RD	3-15/16"	7400	938
	4-7/16"	7950	1212
42 HD-HZF RD	3-15/16"	8200	1000
	4-7/16"	8750	1274
50 HD-HZF RD	3-15/16"	9000	1062
	4-7/16"	9550	1336
58 HD-HZF RD	3-15/16"	9800	1123
	4-7/16"	10350	1397

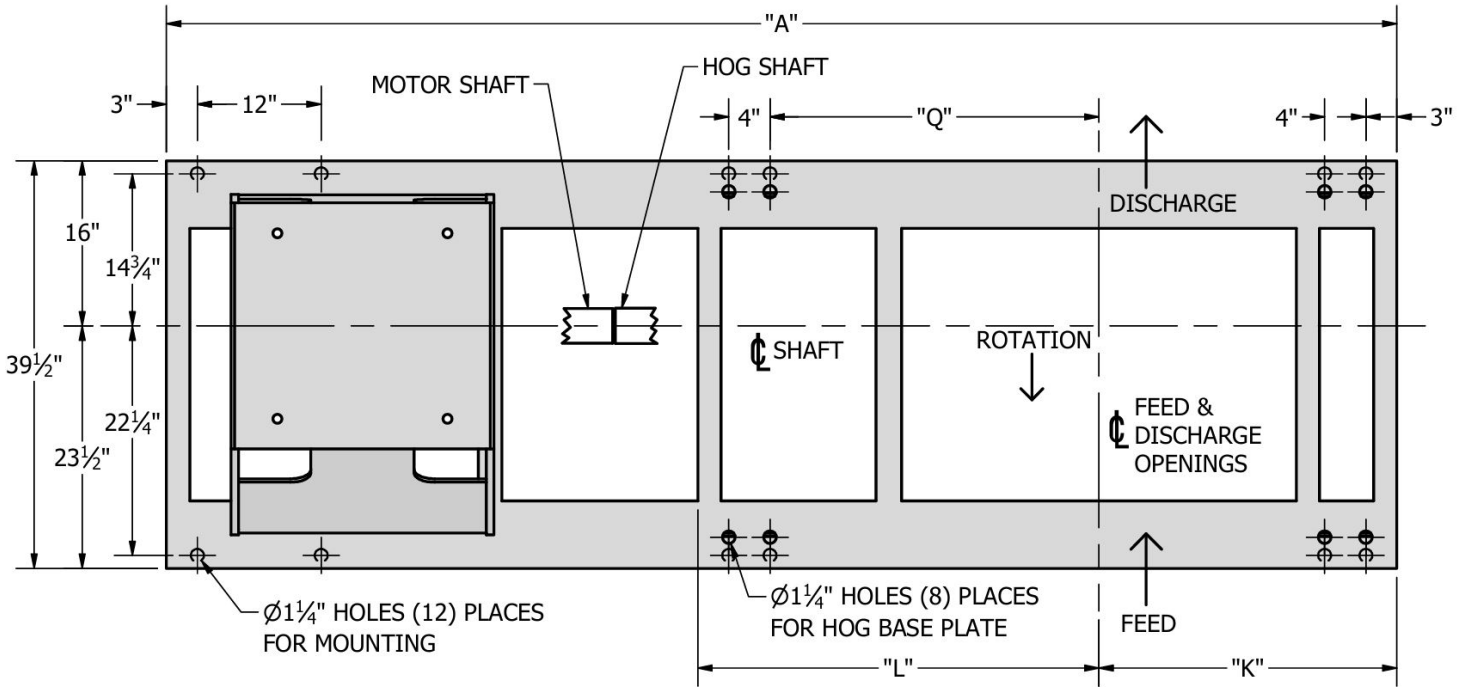
\*DIMENSION "E" IS APPROXIMATE AND MAY VARY WITH APPLICATION. EXACT LENGTH IS DEPENDENT UPON INSTALLATION INFORMATION.



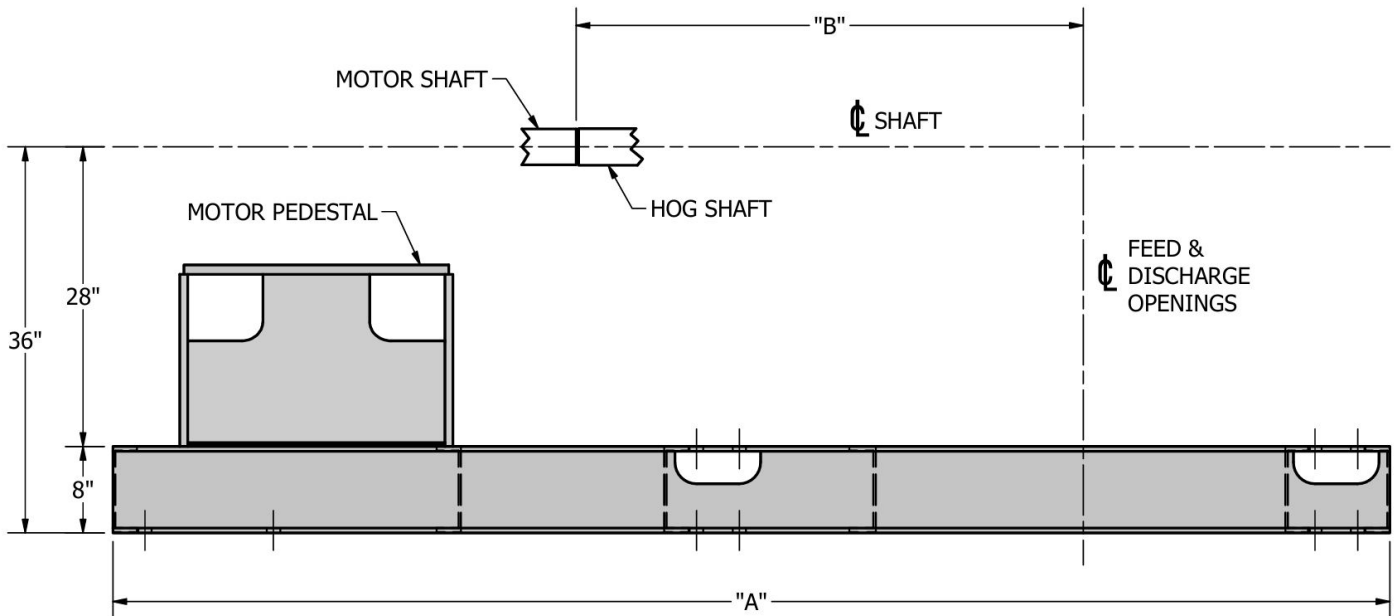
# HD-HZF RD DIMENSION SHEET

DS 24-16-24

## SUB-BASE OVERHEAD VIEW



## SUB-BASE FRONT ELEVATION



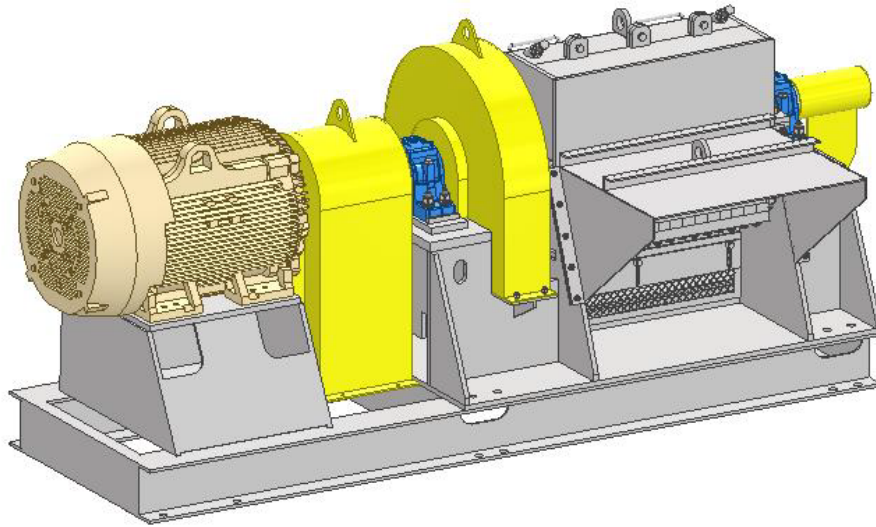




# HD-HZF RD DIMENSION SHEET

DS 24-16-24

## [SUB-BASE WEIGHT]



MODEL	WEIGHT (LBS)
10 HD-HZF RD	1160
18 HD-HZF RD	1213
26 HD-HZF RD	1266
34 HD-HZF RD	1319
42 HD-HZF RD	1372
50 HD-HZF RD	1425
58 HD-HZF RD	1478

## [SUB-BASE DIMENSIONS IN INCHES]

MODEL	BEARING SIZE	"A"	"B"	"K"	"L"	"Q"
10 HD-HZF RD	3-15/16"	95-1/4	34-7/8	16-7/8	26-7/8	19-7/8
	4-7/16"					
18 HD-HZF RD	3-15/16"	103-1/4	38-7/8	20-7/8	30-7/8	23-7/8
	4-7/16"					
26 HD-HZF RD	3-15/16"	111-1/4	42-7/8	24-7/8	34-7/8	27-7/8
	4-7/16"					
34 HD-HZF RD	3-15/16"	119-1/4	46-7/8	28-7/8	38-7/8	31-7/8
	4-7/16"					
42 HD-HZF RD	3-15/16"	127-1/4	50-7/8	32-7/8	42-7/8	35-7/8
	4-7/16"					
50 HD-HZF RD	3-15/16"	135-1/4	54-7/8	36-7/8	46-7/8	39-7/8
	4-7/16"					
58 HD-HZF RD	3-15/16"	143-1/4	58-7/8	40-7/8	50-7/8	43-7/8
	4-7/16"					