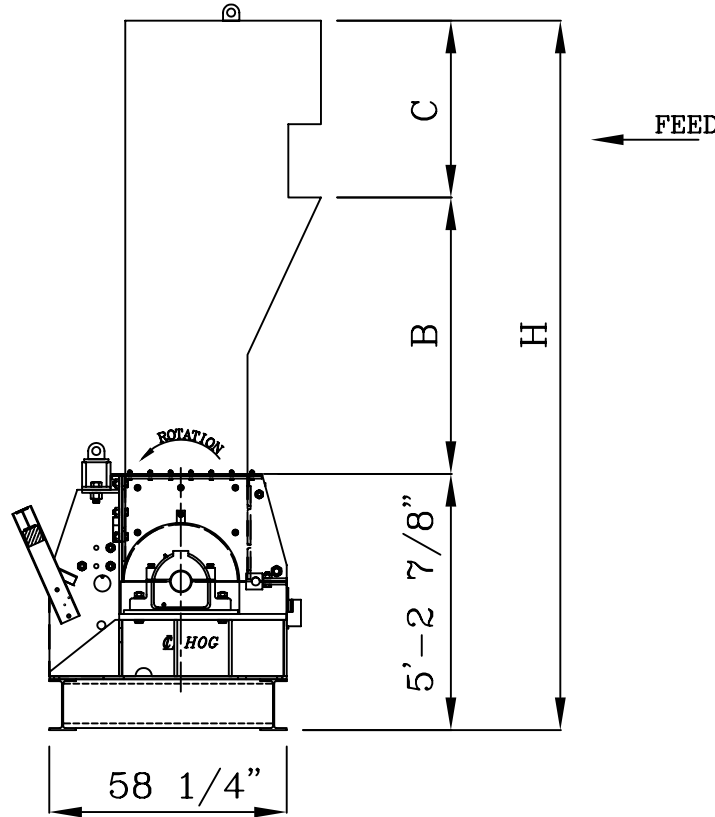
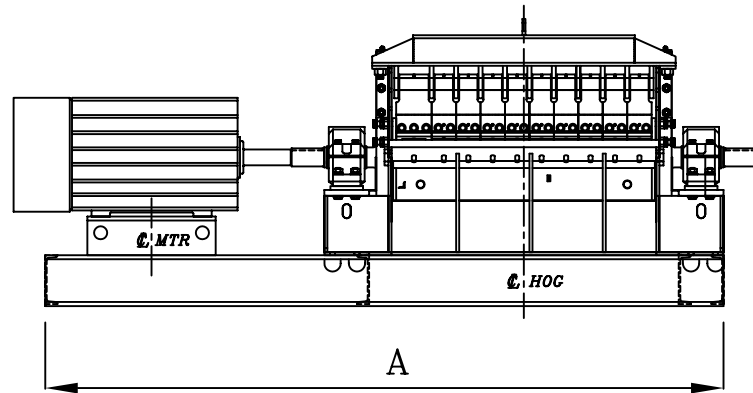
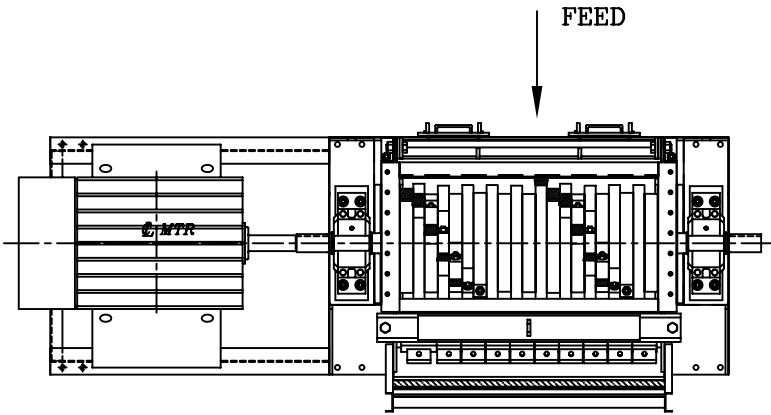


THIS PRELIMINARY DRAWING IS
CORRECT IN DIMENSIONS AND DETAILS

BY: J MONTGOMERY DATE: 8/3/05

MONTGOMERY INDUSTRIES INTERNATIONAL, INC.

CUSTOMER APPROVAL OF NUMBERED CERTIFIED
DRAWING REQUIRED PRIOR TO CONSTRUCTION



24" FEED OPENING

SCRAP	B	C	H
5-FT	60 1/8"	39 3/8"	13'-6 3/8"
6-FT	66 1/4"	43 3/8"	14'-4 1/2"
7-FT	83 3/8"	47 3/8"	16'-1 5/8"
8-FT	100 1/2"	51 3/8"	17'-10 3/4"

30" FEED OPENING

SCRAP	B	C	H
5-FT	60 1/8"	39 3/8"	13'-6 3/8"
6-FT	67 7/8"	43 3/8"	14'-6 1/8"
7-FT	85"	47 3/8"	16'-3 1/4"
8-FT	102 1/8"	51 3/8"	18'-0 3/8"

MODEL	A
21 CS-KC	124 1/2"
27 CS-KC	130 1/2"
33 CS-KC	136 1/2"
39 CS-KC	142 1/2"
45 CS-KC	148 1/2"

MODEL	A
51 CS-KC	154 1/2"
57 CS-KC	160 1/2"
63 CS-KC	166 1/2"
69 CS-KC	172 1/2"
75 CS-KC	178 1/2"

REV.	DATE	DESCRIPTION	APP'D
A	8/3/05	ISSUE	

All fractional dimensions to be +/- 1/32" unless otherwise noted. Decimal dimensions to be as shown.

This drawing in design and detail is the property of Montgomery Industries International. All rights of design or invention are reserved.

FOR: EQUIPMENT: GENERAL ARRANGEMENT OF HOG, SUB-BASE AND FEED HOPPER FOR MODEL CS-KC.		
MONTGOMERY INDUSTRIES INTERNATIONAL PH: 904-355-5671 P.O. BOX 3687 JACKSONVILLE, FLORIDA 32206		
DRAWN: JCM	DATE: 8/3/05	DESIGNED: —
PLOT SCALE: 1/4"=1'	CHECKED: JCM	APP'D:
DWG. NO.: L—		REV. A